



Product Overview:

Shibuya Hoppmann's standard LB-03 and LB-06 overhead prefeeders are designed to handle small to medium sized parts and are engineered to interface directly with smaller style parts feeders. A variable speed motor drives the belt at a speed of 23.00 inches per minute. Note: Controllers and mechanical level sensors are not supplied with this unit.

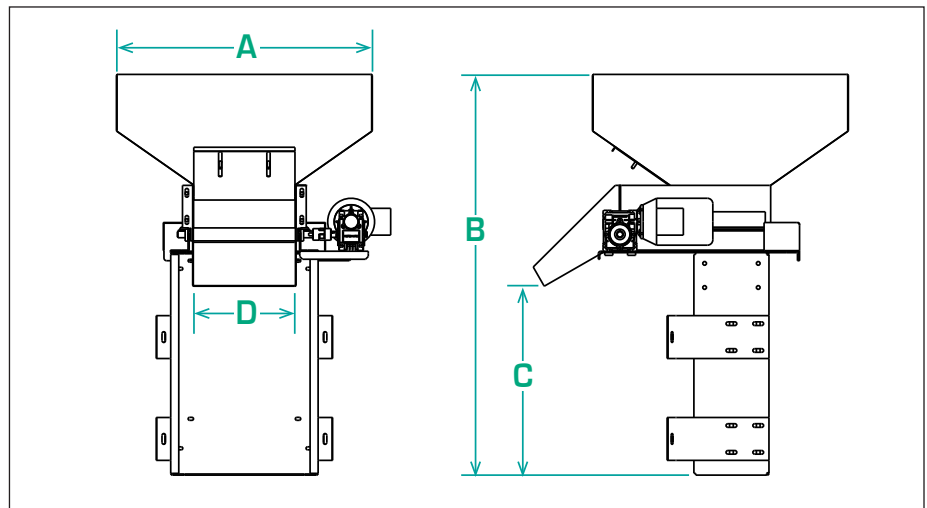
Part Number	LB03XXXDSA	LB03XXXASA
Motor Style	DC	AC
Motor Voltage	90V	208-230/460V
Horsepower	1/30hp	1/8hp
Total Equipment Weight	110 lbs. / 50 kg	
Hopper Capacity (LB-3)	3 ft ³ / 85 liters	
Hopper Capacity (LB-6)	6 ft ³ / 170 liters	

Standard Features:

- Stainless steel construction
- Durable reinforced black neoprene belt with fiberglass cord
- Feeder mounting brackets

Available Options:

- Continuous welded seams
- Hopper covers
- Tan neoprene USDA/FDA dry contact food belt with fiberglass cord (Food Grade Unit: LB03XXXDFA and LB03XXXAFA)
- NEMA 1 encased controller



Product Specifications		ANSI	Metric
A	Hopper Width and Length	23.87" x 23.87"	606.3 x 606.3mm
B	Overall Height – LB-03	37.38"	949.5mm
B	Overall Height – LB-06	47.38"	1203.5mm
C	Discharge Height	17.62"	447.5mm
D	Belt Width	9.53"	242.1mm