

Model FTF-30-RD Centrifugal Feeder

ANSI/Metric Installation & Maintenance Manual

*Refer all servicing to
qualified personnel.*

*This manual is written for qualified
mechanics and electricians
who must install or service the
FTF-30-RD Feeder.*



*Please copy this information
from the FTF-30-RD
Feeder's serial plate.*

Model Number:

Serial Number/Date:

Inventory Number (Check One):

FT301RLDFA

FT302RLDFA

FT301RLAFA

FT302RLAFA

FT302RLAFM



First Edition, Revision 2, All Rights Reserved.

Copyright © 2001 by Hoppmann Corporation

15395 John Marshall Highway

Haymarket, Virginia 20169

Phone: (703) 753-8888

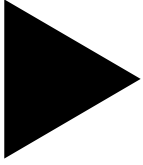
Toll Free: (800) 368-3582

Fax: (703) 753-7485

www.hoppmann.com



Quick Start



About this Manual

Assumptions This manual is written for qualified mechanics and electricians who install or service the FTF-30-RD Centrifugal Feeder. All procedures in this manual should be performed by qualified personnel.

► References in this manual may not apply to your FTF-30-RD feeder. In some cases, your direct supplier may have modified or replaced some of the standard components of the feeder on which these procedures are based. In such cases, you may need to slightly modify these procedures. If you are unsure which standard components of your FTF-30-RD feeder (if any) have been changed, consult your direct supplier's documentation.

Models Covered This manual covers five models. If you are unsure which model you have, locate the inventory number on the serial plate of the feeder.

<i>Inventory No.</i>	<i>Metric</i>	<i>Inventory No.</i>	<i>ANSI</i>
FT302RLAFM	2 AC Motors	FT301RLDFA1 DC Motor
		FT302RLDFA2 DC Motors
		FT301RLAFA1 AC Motors
		FT302RLAFA2 AC Motors

Caution Symbols & Messages Caution symbols and messages in this manual call attention to hazardous conditions.



The exclamation point caution symbol denotes possible personal injury and/or damage to the equipment.



The lightning bolt caution symbol denotes possible personal injury and/or damage to the equipment from electrical hazards.

Equipment Improvements & Document Revisions Notice

Hoppmann Corporation continually improves its products, and reserves the right to change or discontinue specifications and designs shown in this manual without notice and without incurring obligation. Hoppmann Corporation has made every effort to verify the information contained in this manual, but reserves the right to correct any error at the time of the manual's next revision.

As-Built Documentation This manual does not contain as-built documentation. As-built documentation is provided by your direct supplier. If you purchased your tooled feeder directly from Hoppmann Corporation, you will automatically receive this information in your System Operations Manual.

Tools You Will Need The FTF-30-RD feeders are offered in both ANSI and metric versions. For maximum compatibility, ANSI units are classified as "soft ANSI" construction, meaning that metric threads and hardware are used throughout. Both metric and ANSI units require metric tools for repair or adjustment. If your direct supplier tooled your feeder with (SAE) hardware, you will need standard tools as well.



If the feeder has been tooled by your direct supplier, any part of the feeder that touches your product has been tooled for your product. Avoid making any adjustments to the tooling, moving the tooling could adversely affect the performance of your tooled feeder.



Table of Contents

	Page		Chapter
Quick Start	2	About this Manual	
Feeder Description & Specifications	7	Overview of the FTF-30-RD	1
		<i>Figures:</i>	
	6	Figure 1-1. FTF-30-RD Feeder (Dual Drive) Overall Exploded View	
	8	Table 1-1. Feeder Specifications (Dual Metric)	
	9	Figure 1-2. Feeder Specifications (Dual Metric)	
	10	Table 1-2. Feeder Specifications (Single & Dual ANSI)	
	11	Figure 1-3. Feeder Specifications (Single & Dual ANSI)	
Safety Precautions	13	Safety Precautions	2
	13	Operating & Maintenance: Do's & Don'ts	
Installation & Startup	15	Included in this Chapter	3
	15	Unpacking, Inspection & Registration	
	15	Physical Setup	
	16	Starting the Feeder for the First Time	
	17	How to Set Proper Bowl Speed	
	18	Running Product for the First Time	
	18	General Tips	
		<i>Figures:</i>	
	17	Figure 3-1. Measuring & Changing Bowl Speed	
	19	Figure 3-2. AC Metric Wiring Diagram (Dual Drive)	
	20	Figure 3-3. DC ANSI Wiring Diagram (Single & Dual Drive)	
Preventive Maintenance	21	General Cleaning	4
	21	Change Gear Oil in ANSI Speed Reducer	
	22	Reducer Seals Replacement	
	23	Chains and Sprockets Lubrication	
	23	Inspect Chain Tension	
	25	Inspect/Replace Motor Brushes	



	Page		Chapter
		<i>Figures:</i>	
	21	Figure 4-1. Gear Oil Fill Level	
	22	Figure 4-2. Recommended Gear Oil	
	24	Figure 4-3. FTF-40/50-RD Drive Train (DC Motor)	
	25	Figure 4-4. DC Motor Brushes	
Repair & Troubleshooting	27	Torque Limiter: Adjustment/Replacement	5
	29	Replacing or Refinishing a Damaged Bowl	
	30	Chain Drive Nomenclature - Single Drive	
	31	Chain Drive Nomenclature - Dual Drive	
	32	How to Set Bowl Runout	
	33	ANSI Speed Reducer Replacement	
	35	Metric Speed Reducer Replacement	
	37	Major Bearing Replacement	
	40	If Product Jam: General Tips	
	40	Troubleshooting Charts	
		<i>Figures:</i>	
	28	Figure 5-1. Single Drive Torque Limiter Assembly	
	29	Figure 5-2. Bowl Connection	
	30	Figure 5-3. Single Drive Sprocket Location Diagram	
	31	Figure 5-4. Dual Drive Sprocket Location Diagram	
	34	Figure 5-5. Speed Reducer & Motor	
	36	Figure 5-6. Spindle Assembly (Single Drive)	
	37	Figure 5-7. Spindle Assembly (Dual Drive)	
	41	Figure 5-8. Feeder Troubleshooting	
	42	Figure 5-9. Feeder Troubleshooting	
Replacement Parts	43	Notice to Hoppmann Customers	6
	44	Notice to Dealer & OEM Customers	
	44	Contact Information	
	45	Warranty	
		<i>Figures:</i>	
	43	Figure 6-1. Serial Plate Layouts	



FTF-30-RD Feeder Installation/Maintenance Manual

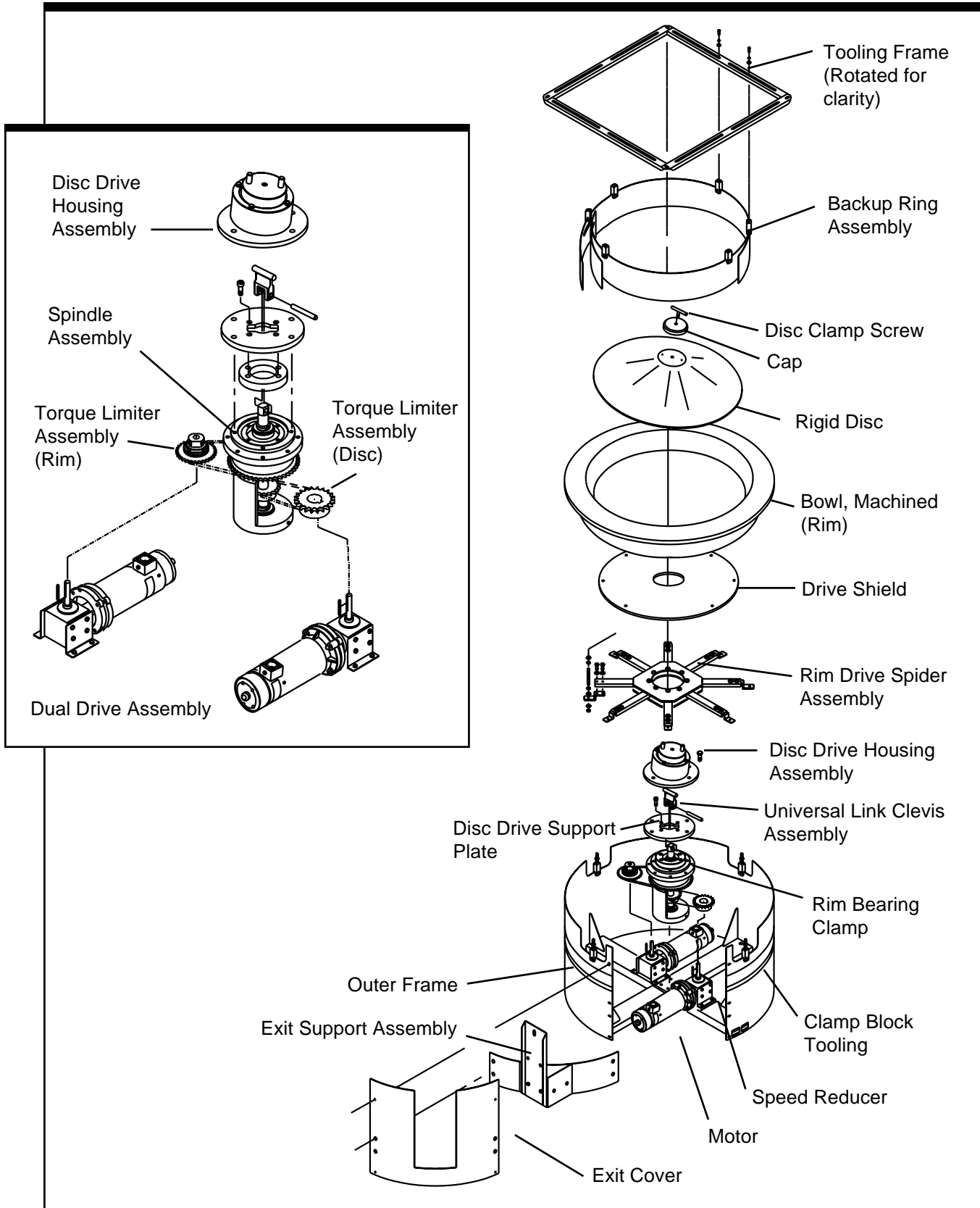


Figure 1-1. FTF-30-RD Feeder (Dual Drive) : Overall Exploded View

Feeder Description & Specifications

1

Overview of the FTF-30-RD

Thank you for purchasing a Hoppmann Model FTF-30-RD Centrifugal Feeder. Hoppmann feeders are easy to use, easy to maintain and easily handles your product quietly and rapidly. The FTF-30-RD feeders unscramble, orient and feed product. (Refer to Figure 1-1 for an exploded view of the FTF-30-RD feeders).

Function The delivery rate varies depending on product characteristics. This food grade model feeder is designed with upgraded features, and engineered to withstand daily washdown. The feeder easily interfaces with Hoppmann's prefeeders, accumulating conveyors and assembly equipment. (See to Figures 1-2 and 1-3 for FTF-30-RD product specifications.)

Operation **Step 1—The Feeder Accepts Your Product.** Every FTF-30-RD feeder accepts product from a separate bulk supply hopper or prefeeder. Product drops randomly, a few at a time, onto a rigid disc.

► The FTF-30-RD feeders run best when parts are not emptied, in bulk, directly onto the rigid disc, but instead, when parts are carefully metered into the FTF-30-RD feeder a few parts at a time. The FTF-30-RD feeders deliver parts almost immediately.

Step 2—The Feeder Loads and Qualifies Your Product. Product is metered into the bowl, dropping onto the rigid disc, and loaded onto the rim for singulation and qualification. The rim moves the product past mechanical, pneumatic and/or optical qualifiers. Improperly oriented product is rejected, and returned to the reservoir area of the bowl for recirculation.

Step 3—The Feeder Delivers Your Product. Next, product moves off the rim and out of the FTF-30-RD feeders, in proper orientation, for delivery to downstream operations.



FTF-30-RD Specifications

Specifications - FTF-30-RD

Metric

Applies to Inventory Number: FT302RLAFM

Electrical Specifications

Motor Size - Bowl Drive Motor	250 W
Motor Size - Disc Drive Motor	250 W
Motor Frame Size	IEC 71D
Supply Voltage	Refer to Chapter 3 Wiring Diagrams
Motor Voltage	Refer to Chapter 3 Wiring Diagrams
Power Usage	3 amps

Dimensional Specifications

A. Outer Wall Diameter	1022 mm
B. Overall Height	610 mm
C. Discharge Height	480 mm
D. Bowl Outer Diameter	918 mm
E. Bowl Inner Diameter	731 mm
F. Rim Width	93 mm
G. Bowl Depth	180 mm
H. Leveling Feet	32 mm ±13 mm

Performance Specifications

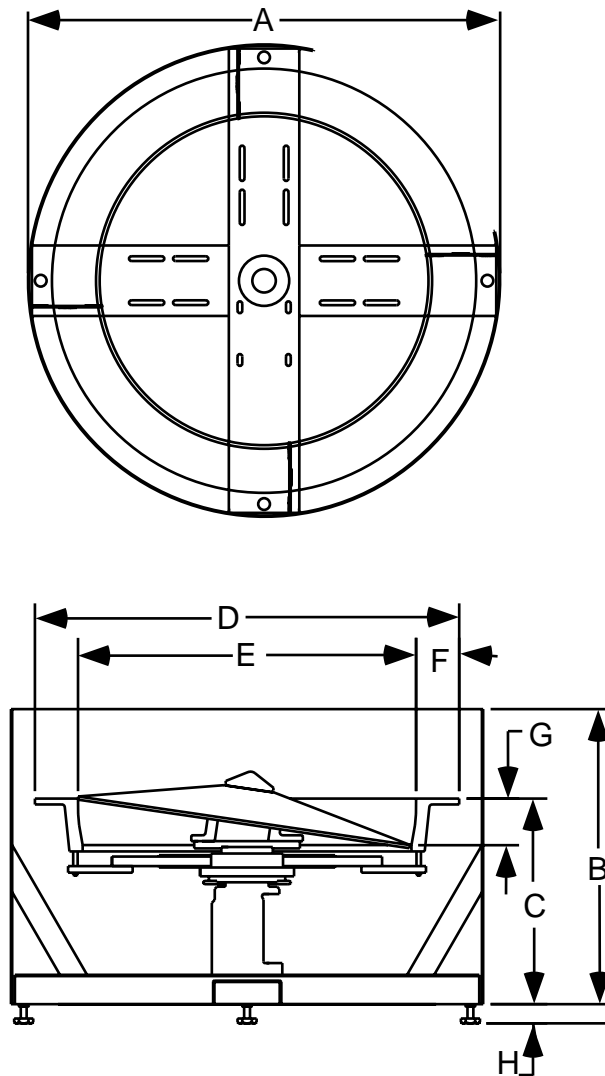
*Maximum Bowl Linear Speed (@Rim ID)	90 meters/minute
Vertical Bowl Runout (Max.)	0.254 mm
Vertical Disc Runout (Max.)	3.175 mm



**Maximum speed is not the operating speed, it's provided as a reference value only. Your direct supplier may have changed some of these specifications during tooling to better match your application's requirements.*

Table 1-1. FTF-30-RD Feeder Specifications (Dual Metric)

FTF-30-RD Specifications



Your direct supplier may have changed some of these specifications during tooling to better match your application's requirements.

Figure 1-2. FTF-30-RD Feeder Specifications (Dual Metric)



FTF-30-RD Specifications

Specifications - FTF-30-RD

ANSI

Applies to Inventory Number:

FT301RLAFA
FT302RLAFA

Electrical Specifications

Motor Size - Bowl Drive Motor

1/3 hp

Motor Size - Disc Drive Motor

1/3 hp

Motor Frame Size

NEMA 56 C

Supply Voltage

Refer to Chapter 3 Wiring Diagrams

Motor Voltage

Refer to Chapter 3 Wiring Diagrams

Power Usage

3 amps

Dimensional Specifications

A. Outer Wall Diameter

40.25"

B. Overall Height

24"

C. Discharge Height

19"

D. Bowl Outer Diameter

36.13"

E. Bowl Inner Diameter

28.79"

F. Rim Width

3.67"

G. Bowl Depth

5.65"

H. Leveling Feet Height

1.25" ± .50"

Performance Specifications

*Maximum Bowl Linear Speed (@Rim ID)

300 feet/minute

Vertical Bowl Runout (Max.)

0.010"

Vertical Disc Runout (Max.)

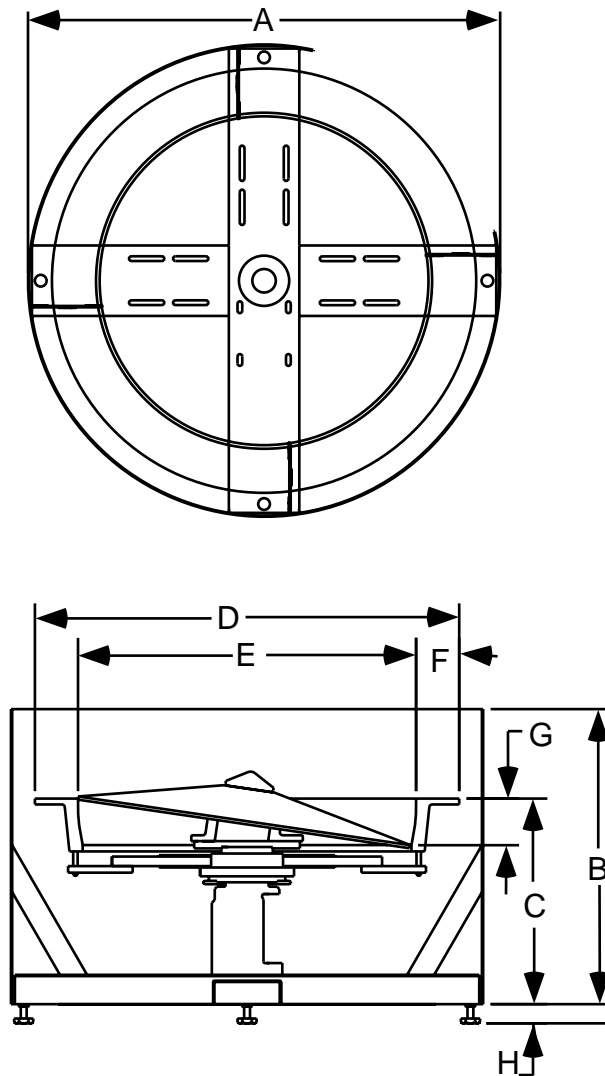
0.125"



**Maximum speed is not the operating speed, it's provided as a reference value only. Your direct supplier may have changed some of these specifications during tooling to better match your application's requirements.*

Table 1-2. FTF-30-RD Feeder Specifications (Single & Dual Drive AC ANSI)

FTF-30-RD Specifications



Your direct supplier may have changed some of these specifications during tooling to better match your application's requirements.

Figure 1-3. FTF-30-RD Feeder Specifications (Single & Dual ANSI)



Notes

Safety Precautions

2

Safety Precautions



Turn Off Power! Before servicing, make sure you have turned off compressed air and electrical power in a way which prevents accidental reactivation. Padlock and clearly tag the appropriate electrical and pneumatic disconnects. Lockout/tagout procedures are covered in United States Code of Federal Regulation (CFR) Title 29 Part 1910.147, "The Control of Hazardous Energy."



Dress Appropriately! Reduce the risk of injury from moving parts by securing loose sleeves and other clothing. Do not wear loose jewelry or neckties near the feeder. Wear safety glasses or other protective eyewear when servicing the feeder. Never place hands or tools in the feeder when it is operating.



Install Safety Guards! Make sure the feeder remains safe to operate. Be sure all safety guards have been installed before returning the feeder to normal operation. Safety guards on the FTF-30-RD Feeder include any guards (which protect the operator from the moving bowl spider, sprockets and chains).



Secure Safety Covers! Before feeder operation, secure all safety covers. Most safety covers are electrically interlocked, and will prevent the machine operation if disengaged.

Operating & Maintenance: Do's & Don'ts

Don't Give the Feeder Too Much Product. Do not overfill the feeder, because it may jam or lose rate. Bulk product should be metered into the feeder. Allow only enough product into the feeder to keep the line running at the required rate.

Don't Run the Feeder Too Fast. Do not run the bowl faster than the linear feet per minute recommended by your direct supplier. If you do, the orientation qualifiers can not do their job as efficiently, and the feeder may jam or lose rate.



Don't Adjust Air Jet Flow Controls. It is okay to adjust the main air regulator to its correct setting for your installation. However, air jets and their individual flow controls have all been carefully preset to work with your product; they should never need adjustment. If you move air jets or adjust their individual flow controls, the feeder may jam or lose rate.

Do Perform Preventive Maintenance. To keep the feeder running without unexpected repairs and resulting downtime, regularly perform the preventive maintenance procedures in Chapter 4.



Do Carefully Replace Any Tooling You Remove. To gain access for repairs, you may need to remove tooling. Because Hoppmann and your dealer or OEM have no control over such activities, they can not be responsible for any tooling you remove. *Carefully document the position of any tooling before you begin.* If you fail to replace all tooling exactly as it was, you may create difficult and time consuming problems.

Don't Operate the Feeder Near Flammable Gas, Vapor or Dust. Do not install a feeder in these conditions unless you install additional, approved explosion-proof or dust ignition-proof enclosures. Without such additional enclosures, normal sparking of the brushes inside the motor could ignite flammable gas, vapor or dust.

Installation & Startup

3

Included in this Chapter

Follow, in order, each section of this chapter to install any fully tooled FTF-30-RD feeder. For your convenience, *Tables 1-1, 1-2, 1-3, 3-2 and 3-3*, show electrical specifications for your feeder and suggested wiring.

Unpacking, Inspection & Registration



Step 1—Inspect and Unpack the Crate. Remove packing materials from sensors, tooling and moving parts. Make a visual check to be sure parts have not come loose during shipping. If you find any concealed damage, call the shipping carrier and your direct supplier immediately. *Do not attempt to fix the problem yourself unless told to do so by your direct supplier.*

Step 2—Record Serial Numbers and Register Feeder For future reference and assistance in ordering parts, record on the front of this manual the feeder's model and serial number (also see Figure 6-1).

Physical Setup

You should refer to as-built drawings (not part of this manual) for electrical, pneumatic and equipment layout specifications.

Step 1—Position the Feeder. Place the feeder as shown on the equipment layout drawing provided by your direct supplier.

Step 2—Level the Feeder. Level the machine by adjusting the leveling feet. Tighten the locknuts on the leveling feet.

Step 3—Connect the Output Device. Check that product can move smoothly from the exit of the feeder to your output device (deadplate, conveyor, gravity track or powered rollers, for example). Check that product will not jam or lose their orientation as they move to the output device.

Continued ►



Step □4—Position the Prefeeder. Now place your bulk supply hopper, or prefeeder, into position. Follow the equipment layout drawing provided by your direct supplier, or the feeder may not operate correctly. *If you are providing and integrating a prefeeder, continue reading the step below. If your direct supplier is providing and integrating both your feeder and prefeeder, skip to Step □5.*

If you are supplying your own prefeeder, you are responsible for:

- ▶ Providing and installing the feeder's bowl level switch so it can control the flow of your prefeeder.
- ▶ Setting the timing delay for the feeder's bowl level switch.
- ▶ Correctly positioning the prefeeder. Generally, the prefeeder must discharge product to fall on the lowest side of the feeder's rigid disc, halfway between its center and its outside diameter. Take a handful of product and drop them from the snout of your prefeeder into the feeder. Avoid product bouncing up off the rigid disc onto the rim of the bowl, which could knock off product that are already loaded. Position the prefeeder again, if necessary, after the feeder is running.

Step □5—Connect Electrical Supply and Air Connect your feeder to electrical supply and compressed air (if applicable). Do not change the feeder's main air regulator; it should already be correct when you receive the feeder.

Starting the Feeder for the First Time

Step □1—Secure Safety Covers Before turning on power and air, make sure safety covers are in place and that you are dressed appropriately for safety.

Step □2—Turn on Power and Air Turn on the feeder's power. If applicable, turn on the feeder's main air regulator.

Step □3—Check for Rubbing Parts Run the prefeeder, feeder and output device without product. In the unlikely event that you hear squeaks and squeals (there should be none), shut down immediately and check for any remaining packing, such as between the backup ring and the rim of the bowl.

How to Set Proper Bowl Speed

Ask your direct supplier for the actual linear feet per minute at which the bowl should rotate. For reliability, set the bowl to match that speed.

► You will need a hand-held tachometer (analog or digital) with a surface speed wheel indicator (see Figure 3-1).

► This procedure is performed with power on and the feeder operating. If your direct supplier has installed a cover over the bowl, you will need to open it before proceeding.

Step 1—Turn on Feeder. Turn on the feeder and run it without product.

Step 2—Set Bowl Speed. To set bowl speed, place hand-held tachometer (with surface speed indicator attachment) on the inner wall of the moving bowl, at its most upper inside diameter. Adjust bowl speed until bowl is moving at correct number of linear feet per minute (FPM).

► If you have only one drive motor installed (standard) you can ignore the rigid disc speed, which changes proportionally as the bowl speed changes.

Continued ►

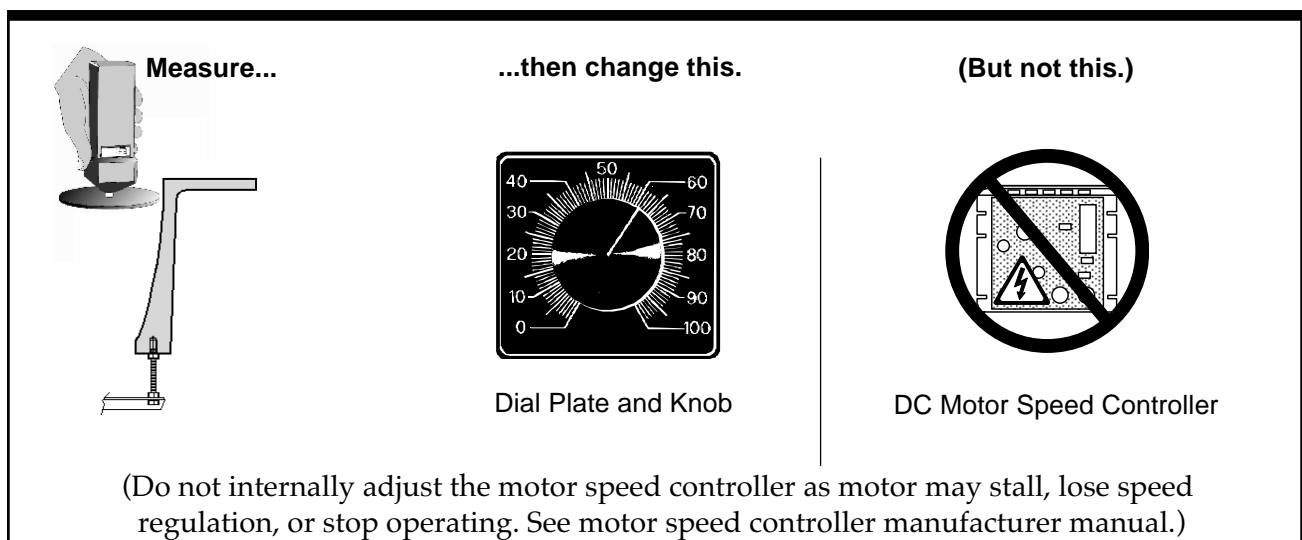


Figure 3-1. Measuring and Changing Bowl Speed



► If your feeder has dual drive motors installed, after you complete the procedure to set the bowl speed (see previous step), measure the disc speed in RPM at the center of the disc using your hand held tachometer with the appropriate attachments.

Step □3—Record New Settings Turn off the feeder. Mark dial plate with new setting and remove any old marks.

Running Product for the First Time

Step □1—Verify Changeover Setup If your feeder is tooled to run multiple product, ensure the feeder is set up for the product you want to run.

Step □2—Inspect Product at Exit Inspect the exit of the feeder. If product is exiting the feeder properly oriented, at the required rate and without jamming, then installation is complete. Otherwise, continue with Step 3. Do not adjust the flow controls on any air jet.

Step □3—Verify Prefeeder Speed Normally this step is completed by your direct supplier. However, if you are separately providing and integrating the prefeeder, you will have to set the prefeeder's speed. To do this, turn the prefeeder's speed control all the way down, then turn on the feeder.

► Slowly (you may need to take several minutes) raise the prefeeder's speed control until enough parts exit, the feeder to keep the line running at the required rate.

► *Note: Excessive prefeeder output may overload the feeder and reduce its output.*

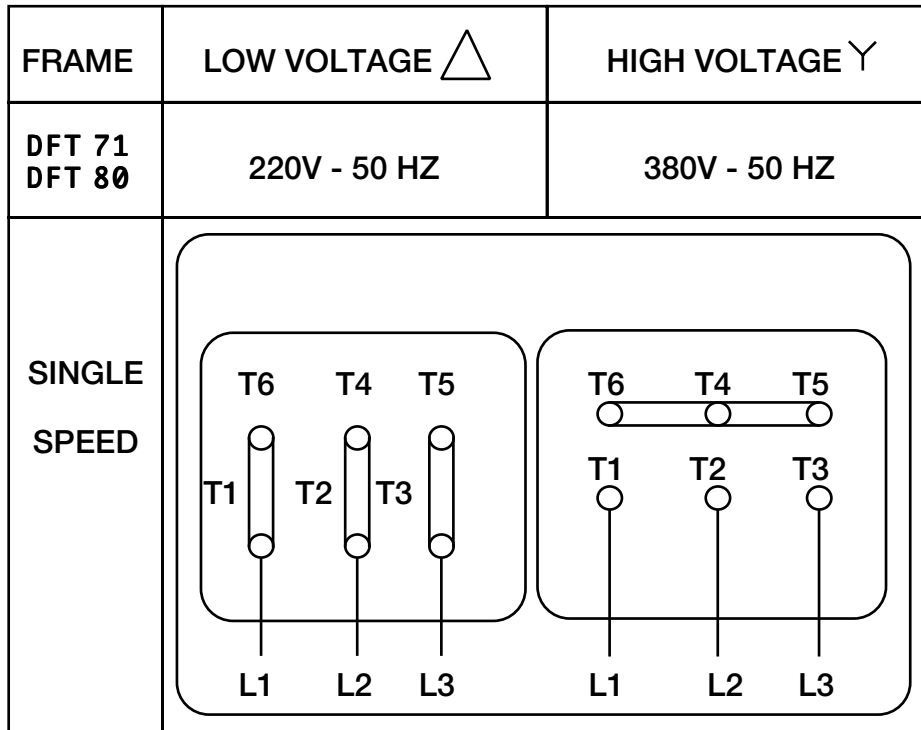


General Tips

► After your feeder is set up and running, observe the flow of product at each transition point. Later, if a problem occurs, observe these transition points to help pinpoint the cause.

► Listen to the way the feeder sounds when it is running properly. If it suddenly sounds different, investigate why.

AC Metric Dual Drive - Suggested Wiring Diagram



Specifications - Model Inventory Number: FT302RLAFM

Motors	Disc Drive Motor - 250 W 220/380 3PH 50 Hz AC Motor Hoppmann Part No. MOTRMACW33 Bowl Drive Motor - 250 W 220/380 3PH 50 Hz AC Motor Hoppmann Part No. MOTRMACW33
Manufacturer	SEW Eurodrive
Mounting	IEC 71D Face Mounting
Protection Level	IP65 Protection Level (Severe Duty)
Inverter Option	AC Variable Speed Inverter option (not provided with unit). Contact Hoppmann Corporation for inverter specifications and ordering instructions if desired.

Figure 3-2. FTF-30-RD AC Metric Suggested Wiring Diagram (Dual Drive)

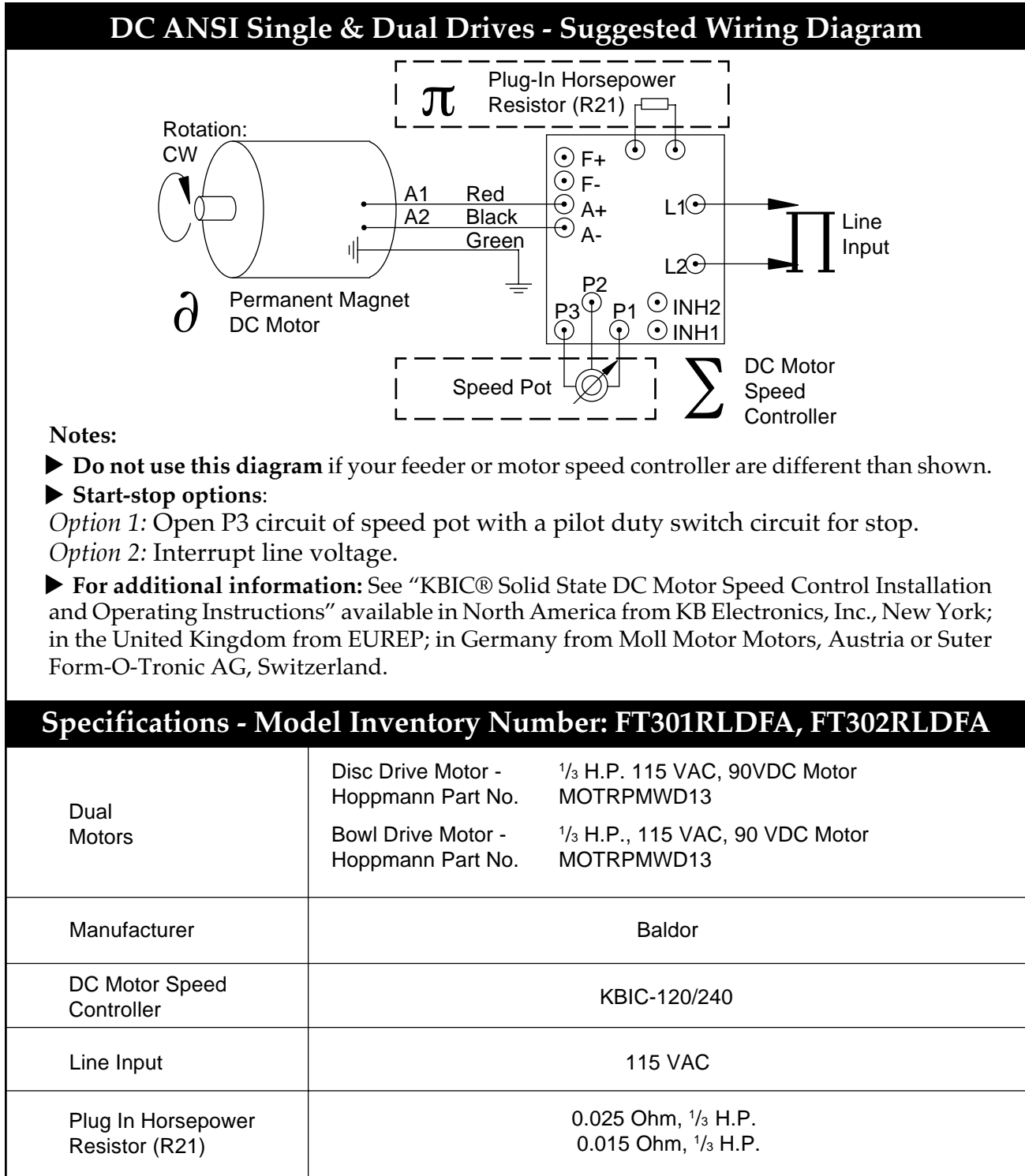


Figure 3-3. FTF-30-RD DC ANSI Suggested Wiring Diagram (Single & Dual Drive)

Preventive Maintenance

4

General Cleaning

The Hoppmann Model FTF-30-RD Centrifugal Feeder is intended for washdown use. It is constructed with upgraded features to allow for washdown duty.

Gear Oil in ANSI Speed Reducer

The speed reducer comes with factory installed synthetic lubricants. The manufacturer recommends that you change the gear oil every two years or 6000 operating hours, whichever comes first.

If you do not regularly change the gear oil in the ANSI FTF-30-RD feeder, the speed reducer will eventually fail. This type of failure is not covered under warranty.



▶ The speed reducer in the ANSI FTF-30-RD feeder requires periodic maintenance; the speed reducer in the metric FTF-30-RD feeder does not.

▶ You may need to change the gear oil more often if you run the FTF-30-RD feeder in a room which is unusually hot or dirty.

▶ Check the level of gear oil before draining (see Figure 4-1). If the level is low, check the reducer's input and output shaft seals for leaks.

▶ Drain the gear oil while warm; the gear oil will drain more easily than if cold. If there are any metal contaminants, they are less likely to remain behind.

▶ Refill to the correct level with the recommended gear oils (see Figure 4-2). The gear oils shown are specifically for the worm gear speed reducer in the ANSI FTF-30-RD feeder; other gear reducers may require different types of gear oil.

Tip: The ANSI FTF-30-RD feeder is shipped to your direct supplier with synthetic gear oil. Because synthetic gear oil has increased resistance to heat and oxidation, it does not have to be changed as often as conventional gear oil.

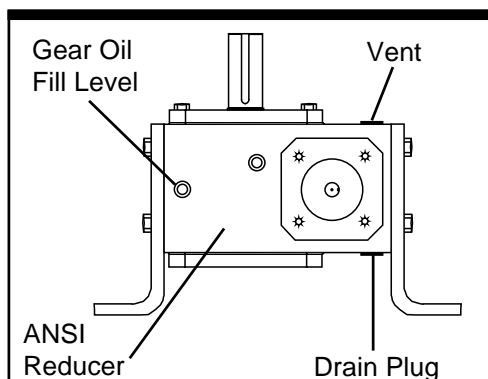


Figure 4-1. Gear Oil Fill Level



"Gold Version" Reducer and Metric Speed Reducer—No Lubrication Required. The Gold Bladder speed reducer and reducer used in the metric FTF-30-RD feeder are lubricated for life with synthetic lubricant and require no regular lubrication or venting.

<i>Speed Reducer Gear Oil FTF-30-RD Centrifugal Feeders - ANSI Only</i>	
<i>Recommended Gear Oil or Equivalent</i>	Mobil "SHC 634 Synthetic"
<i>Ambient (Room) Temperature</i>	-30 to +125° (-34 to +52° C)
<i>Viscosity Range SUS at 100° F.</i>	1950 / 2150
<i>AGMA No.</i>	*
<i>ISO*** Viscosity Grade</i>	320/460
<small>* Mobil SHC 634 is the only synthetic gear oil we recommend. ** Ask for equivalent gear oil by AGMA number from most major oil companies. *** International Organization For Standardization, Switzerland</small>	

Figure 4-2. Recommended Gear Oil

Reducer Seals Replacement

The speed reducer uses seals which may need to be replaced. Follow the steps below to replace the seals on the reducer:

Step 1—Remove the Worn Seal. Remove the worn seal without damaging the shaft surface of the seal bore. This can be done by drilling a .062 diameter hole in the seal casing (being careful not to drill into the bearing behind the seal). Screw a #10 sheet metal screw into the hole and pry out the seal.

Step 2—Clean the Seal Bore of Sealant.

Continued ►

Step 3—Cover Keyways. Before installing the new seal, use electrical tape to cover any keyways on the shaft to prevent seal lip damage.

Step 4—Grease Seal Lips. Grease the seal lips with bearing grease, and apply a sealant to the seal bore.

Step 5—Replace Seal. Slide the seal into the shaft being careful not to fold the inner lip over on any shaft steps.

Step 6—Press Seal into Bore. Press the seal into its bore with a sleeve that presses on the seal casing, being careful to keep the seal square in its bore.

Chains and Sprocket Lubrication

All FTF-30-RD feeders use polymer/stainless chains and do not require any lubrication.

Inspect Chain Tension

Step 1—Gain Access. Improper chain tension wears out sprockets and chains. When lubricating or performing other maintenance tasks, inspect the tension of the chain. If you have not already done so, disconnect power and air, and remove the exit cover and the exit support assembly to gain access.

Step 2—Inspect Drive Chain. Midway between the sprockets, grasp the chain and move it back and forth. You should not be able to move it more than 1" in either direction. If it moves more than 1", adjustment is required (see Figure 4-3.)

▶ If adjustment is needed, loosen the reducer mounting brackets from the nut plates. Move the reducer forward or back as necessary and then retighten.

Continued ▶

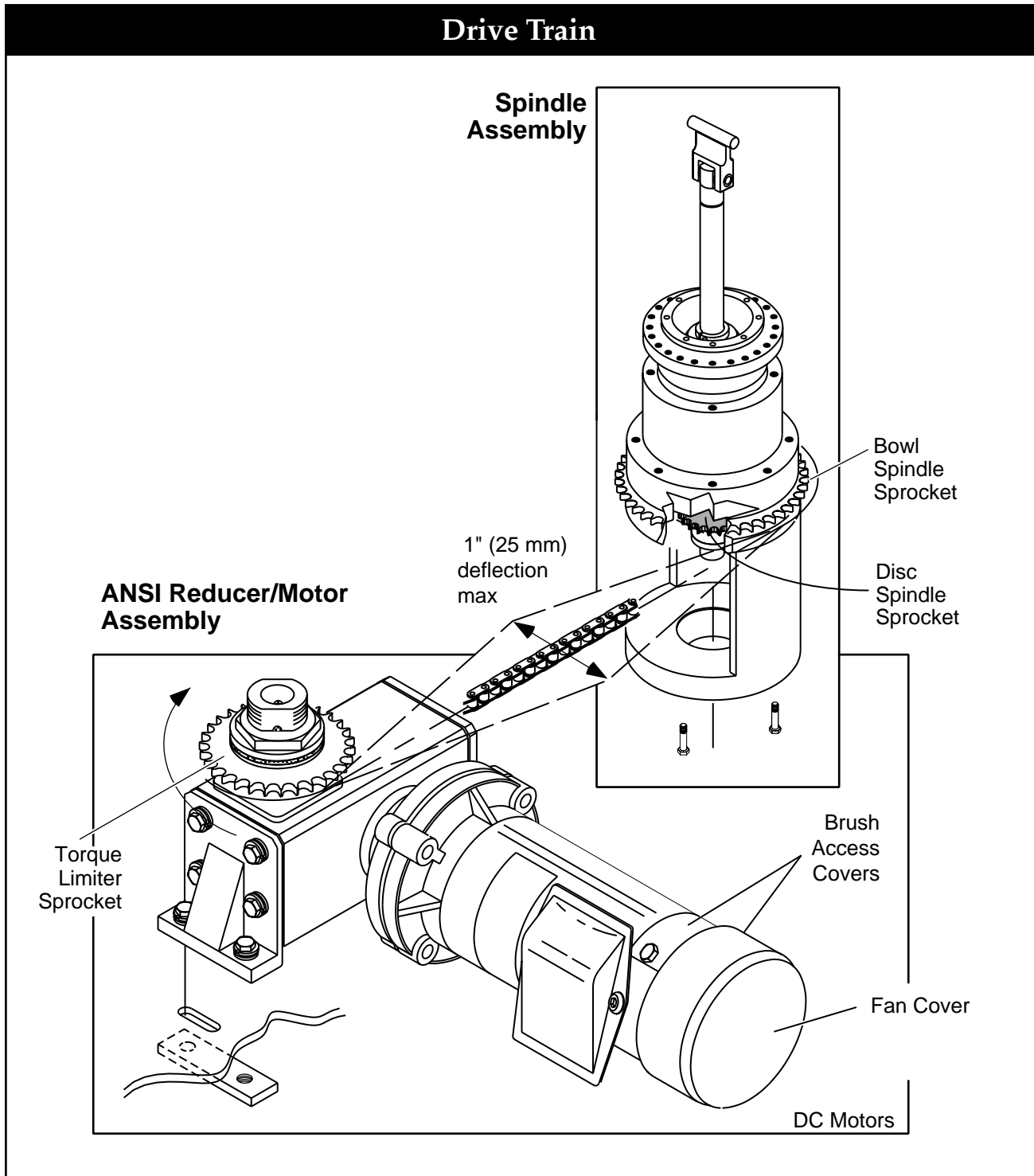


Figure 4-3. FTF-30-RD Drive Train (DC Motor)

Step 3—Check for Parallel Sprockets. Check that each set of sprockets is parallel to within $1/32$ " (0.8 mm). If not parallel, realign only the idler sprockets.

Step 4—Check for Vibration. Run the feeder. If vibration is evident, check chain tension for excessive tightness. Vibration may be reduced or eliminated by the realignment of sprockets and increase of total chain deflection from 1" (25 mm) to $1\ 1/4$ " (32 mm).

Step 5—Replace Covers. Replace covers and connect power and air. Initial and date the Maintenance Log in the back page of this manual.

Inspect/Replace Motor Brushes



The following procedure applies only to DC motors and should be performed only by qualified personnel.

Step 1—Gain Access. Disconnect power and air. Remove feeder covers as needed to gain access to the motor, then remove the motor brush access covers. (On the FTF-30-RD only, the motor fan cover, which partially blocks the brush access covers, must be

Continued ►

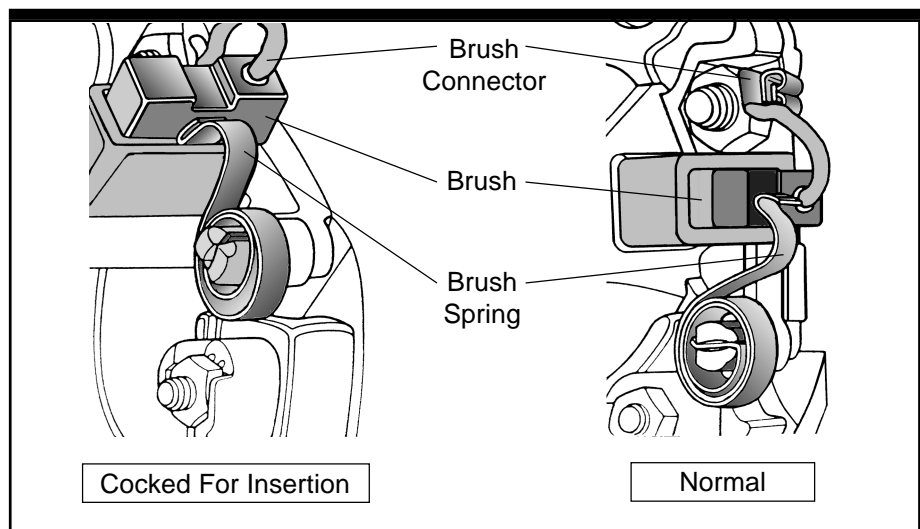


Figure 4-4. DC Motor Brushes (Gasketed Cover Removed)



loosened or removed.) The insulator guard (a sheet of flexible cardboard-like material covering the access hole) is now visible. Unfold it out of the way, but do not remove it.

Step 2—Clean the Motor. Clean the motor by blowing into the open access hole with compressed air.

Step 3—Replace Brushes. Lift the brush spring from the end of the brush (see Figure 4-4). Remove the brush connector, withdraw the brush and inspect the length. To prevent motor damage, brushes should be replaced when or before they reach a length of 0.575" (15 mm). New brush length is 1.03" (26 mm). Reverse procedure to replace brush. Replace motor access and feeder covers. Connect power and air. Initial and date the Maintenance Log.

Repair & Troubleshooting

5

Torque Limiter: Adjustment/Replacement

The torque limiter allows the drive sprocket to slip harmlessly in the event of a product jam. Severe humidity or dryness, lubricants or surface corrosion on bushings or the drive sprocket may reduce the effectiveness of the torque limiter. The torque limiter should be inspected and adjusted if the rim is free wheeling.

Step 1—Disconnect power. Turn off power and air.

Step 2—Gain Access. Remove exit cover and rim drive chain.

Step 3—Remove Torque Limiter. Remove and disassemble torque limiter. (See Figure 5-1) Inspect and replace any broken or worn parts. Observe order of components.

Step 4—Assemble and Install the Torque Limiter. Clean parts before re-assembly. Assemble the torque limiter (as shown in Figure 5-1.) Tighten adjusting nut hand tight. Install the torque limiter.

Step 5—Replace Chain. Replace chain and inspect chain tension (refer to Figure 4-3).

Step 6—Adjust Torque Limiter. Tighten the adjusting nut (see Figure 5-1) down until the bowl turns when power is applied with minimum slippage. Do not completely flatten the disk spring. Also do not lock the adjusting nut yet. You will lock the adjusting nut after turning on the motor. Some slippage must occur to prevent damage, however, there should be no slippage if the bowl is at maximum rotation.

Step 7—Lock Adjusting Nut. Lock the adjusting nut by bending a lockwasher tab over it. Make sure any safety covers you removed have been replaced. The FTF-30-RD feeder is ready for use.



Note: Some slippage must occur to prevent damage, however, there should be no slippage if the bowl is at maximum rotation.

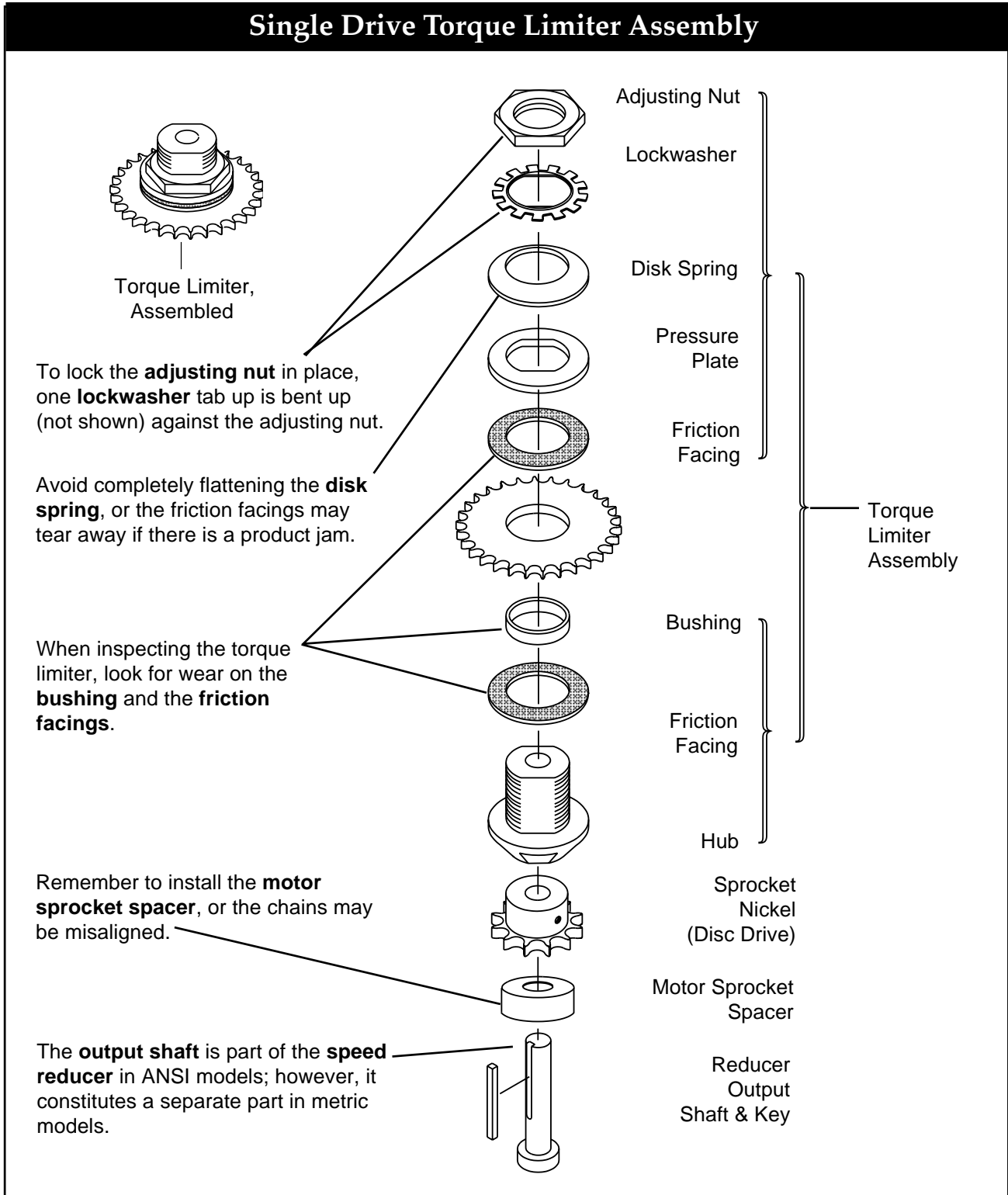


Figure 5-1. Torque Limiter Assembly (Nickel Plated)

Replacing or Refinishing a Damaged Bowl

If the bowl becomes damaged in a way that adversely affects the feeder performance or coating is damaged exposing metal in the food contact areas, the bowl must be replaced or refinished.

▶ If the damage is slight, recoating with commercial hard coat by a professional metal refinisher may correct the problem.

▶ Machining must be done in such a way that bowl runout is restored to original tolerances, or the feeder may not operate correctly. If machining is necessary, have the bowl recoated. Recoating the bowl retains the USDA /FDA approved (ultra-hard protective) product contact surface, and corrosion resistance of the bowl.

▶ If machining enlarges the inner wall of the bowl, you may need to replace the disc with a larger one (custom-sized) from your direct supplier. If you do not obtain a larger disc, the gap between the disc and the inner wall of the bowl may pinch or snag product (see Figure 5-2).

Step 1—Measuring and Removing the Bowl Measure the height between the bottom of the bowl, and the top of the spider arm

(where the threaded rod connects the two parts - see Figure 5-2). Loosen and remove the bottom nut on the spider arm (on each of the eight (8) arms) and remove the bowl - pulling it up and away from the feeder.

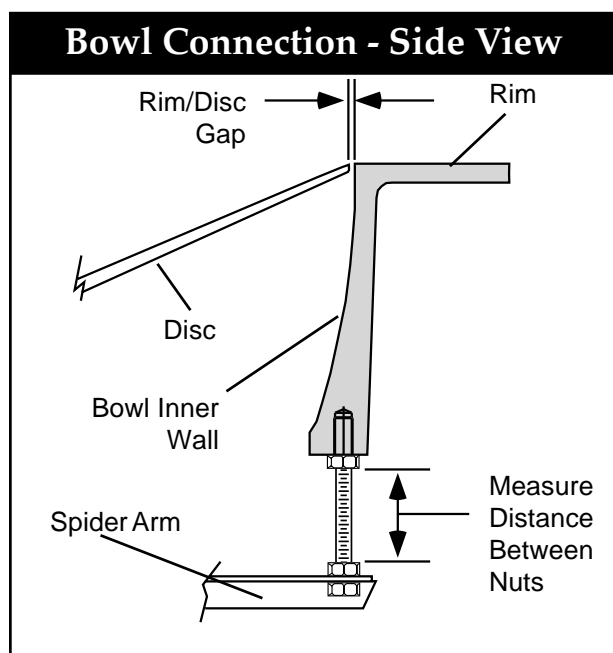


Figure 5-2. Side View - Bowl Connection

Step 2—Replacing the Bowl. Put the new or refinished bowl in place, then set it to the correct height, ± 0.03 " (0.8 mm) as you measured in Step 1.

Step 3—Bowl Runout. Refer to the section, "To Set Bowl Runout."

Step 4—Check Covers. Check that all covers are in place before running the feeder.



Chain Drive Nomenclature - Single Drive

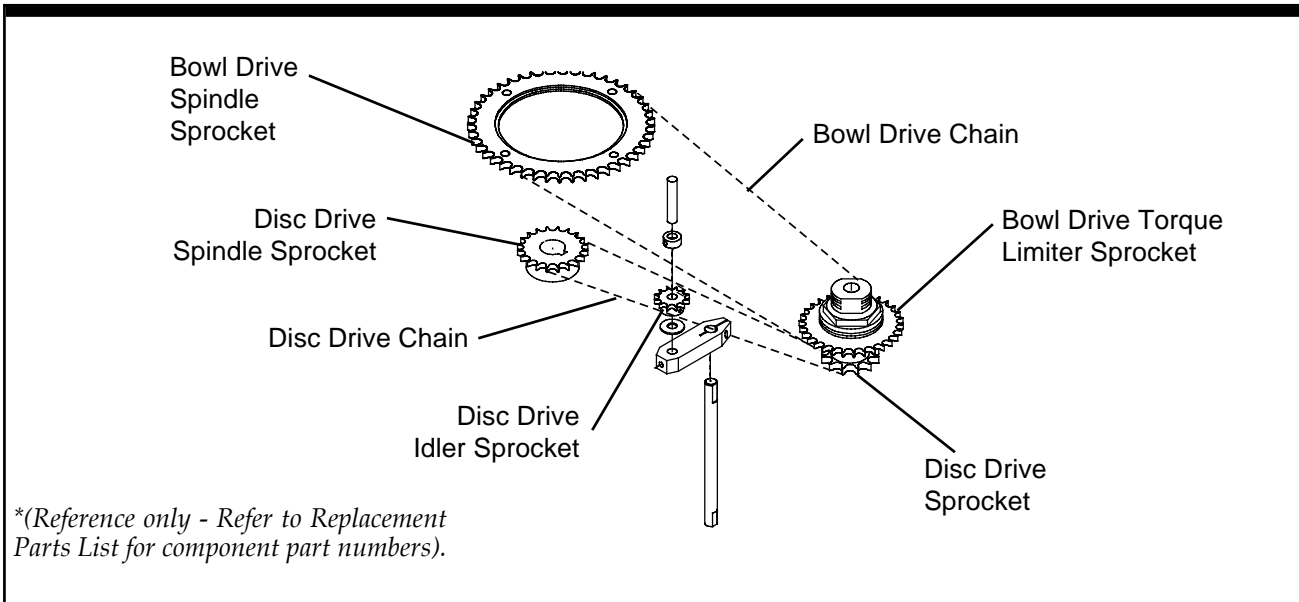


Figure 5-3. Single Drive Sprocket Location Diagram

Inventory No.'s: FT301RLDFA – FT301RLAFA

Sprocket Name/Location # of Teeth

- Bowl Drive Sprocket 45 Teeth
- Bowl Drive Torque Limiter Sprocket... 30 Teeth
- Disc Drive Spindle Sprocket 20 Teeth
- Disc Drive Idler Sprocket 12 Teeth
- Disc Drive Sprocket 18 Teeth

Chain Lengths

- Bowl Drive Chain #40 x 36.5" Long
- Disc Drive Chain #40 x 26.5" Long

Chain Drive Nomenclature - Dual Drive

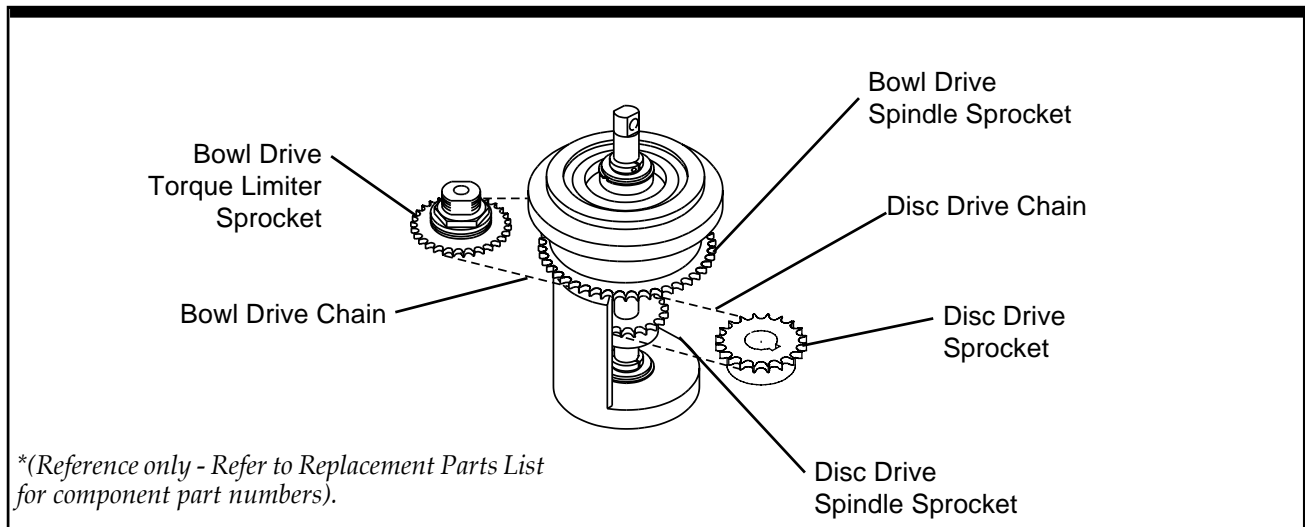


Figure 5-4. Dual Drive Sprocket Location Diagram

Inventory No.'s: FT302RLDFA – FT302RLAFA

Sprocket Name/Location # of Teeth

- Bowl Drive Sprocket 45 Teeth
- Bowl Drive Torque Limiter Sprocket... 30 Teeth
- Disc Drive Spindle Sprocket..... 20 Teeth
- Disc Drive Sprocket..... 18 Teeth

Chain Lengths

- Bowl Drive Chain #40 x 36.5" Long
- Disc Drive Chain #40 x 26.5" Long

Inventory No.'s: FT302RLAFM

Sprocket Name/Location # of Teeth

- Bowl Drive Sprocket 45 Teeth
- Bowl Drive Torque Limiter Sprocket... 30 Teeth
- Disc Drive Spindle Sprocket..... 20 Teeth
- Disc Drive Sprocket..... 18 Teeth

Chain Lengths

- Bowl Drive Chain #40 x 36.5" Long
- Disc Drive Chain #40 x 26.5" Long



How to Set Bowl Runout

Bowl runout needs to be reset if the bowl has been removed. Adjust runout with power off and bowl drive chain disengaged.

Step □1—Gain Access. Disconnect power and air. Remove any frame covers.

Step □2—Remove Bowl Drive Chain. Remove the master link. Disconnect the bowl drive chain from the bowl spindle sprocket.

Step □3—Adjust Vertical Runout. Attach a dial indicator to the inside of any upper frame support. Set the indicator contact point vertical, perpendicular to the rim of the bowl, up to $\frac{1}{4}$ " (6 mm) from the bowl's upper inside diameter (ID). Loosen jam nuts and locknuts above and below each arm of the bowl spider one arm at a time. Repeat as often as necessary while checking runout. Do not tighten jam nuts until Step 4.

Step □4—Adjust Horizontal Runout. Move the indicator contact point horizontal, perpendicular to the inner wall of the bowl, up to $\frac{1}{4}$ " (6 mm) from the bowl's upper ID. Gently tap the bowl's ID with the palm of your hand or a rubber mallet. Tighten locknuts and jam nuts by hand firmly but not forcibly. Inspect vertical runout and adjust again if necessary. Continue alternating between horizontal and vertical runout until both are within specification.

Step □5—Check Exit. Ensure that proper relationship still exists at transition between rim of bowl and output device (deadplate, conveyor, gravity track, or powered rollers, etc.).

Step □6—Check Backup Ring Clearance. Ensure that proper, as-tooled gap still exists between bottom of backup ring and rim of the bowl. (Feeders for most products are tooled with approximately $\frac{1}{8}$ " gap, but for some small products the gap is less; consult your as-built documentation for specifications.) At the upper frame support, adjust the tooling ring up or down, if necessary.

Step 7—Replace Chain & Covers. Install bowl drive chain. Inspect chain tension (see Figure 4-3). Replace covers and reconnect power and air.

ANSI Speed Reducer: Replacement

Follow these instructions to replace the ANSI speed reducer with its direct replacement.

Step 1—Gain Access. Disconnect power and air. Remove the exit cover.

Step 2—Remove Motor. Remove mounting bolts and then remove motor from the speed reducer, leaving wiring intact. Set motor safely aside in a secure position.

Step 3—Remove Old Speed Reducer. Remove the two mounting bolts on each nut plate at the bottom of the reducer mounting brackets. Slide the speed reducer towards the center of the FTF-30-RD feeder, and remove the chain. Completely remove the speed reducer assembly.

Step 4—Reducer Installation. Remove the torque limiter and reducer mounting brackets from the old reducer and install them on the new reducer. Slide the torque limiter assembly down onto the reducer output shaft until it bottoms out against the roll pin (see Figure 5-1). Tighten setscrew.

Step 5—Check and Install Gear Oil. Unpack the new speed reducer. Leave rubber sleeves on shafts to protect your hands from any sharp edges on the keyways. Fill the new speed reducer to the correct level with gear oil (unless the reducer is filled by the manufacturer.) Keep the speed reducer level as you install it, or the vent hole may leak (see Figure 4-1). Recommended gear oil is listed in Chapter 4.



Step 6—Install New Speed Reducer. Install new reducer assembly back into the feeder and reattach the two nut plates, securing the assembly to the frame. *Do not tighten the bolts yet.*

Continued ►



FTF -30-RD ANSI Speed Reducer & Motor Assembly

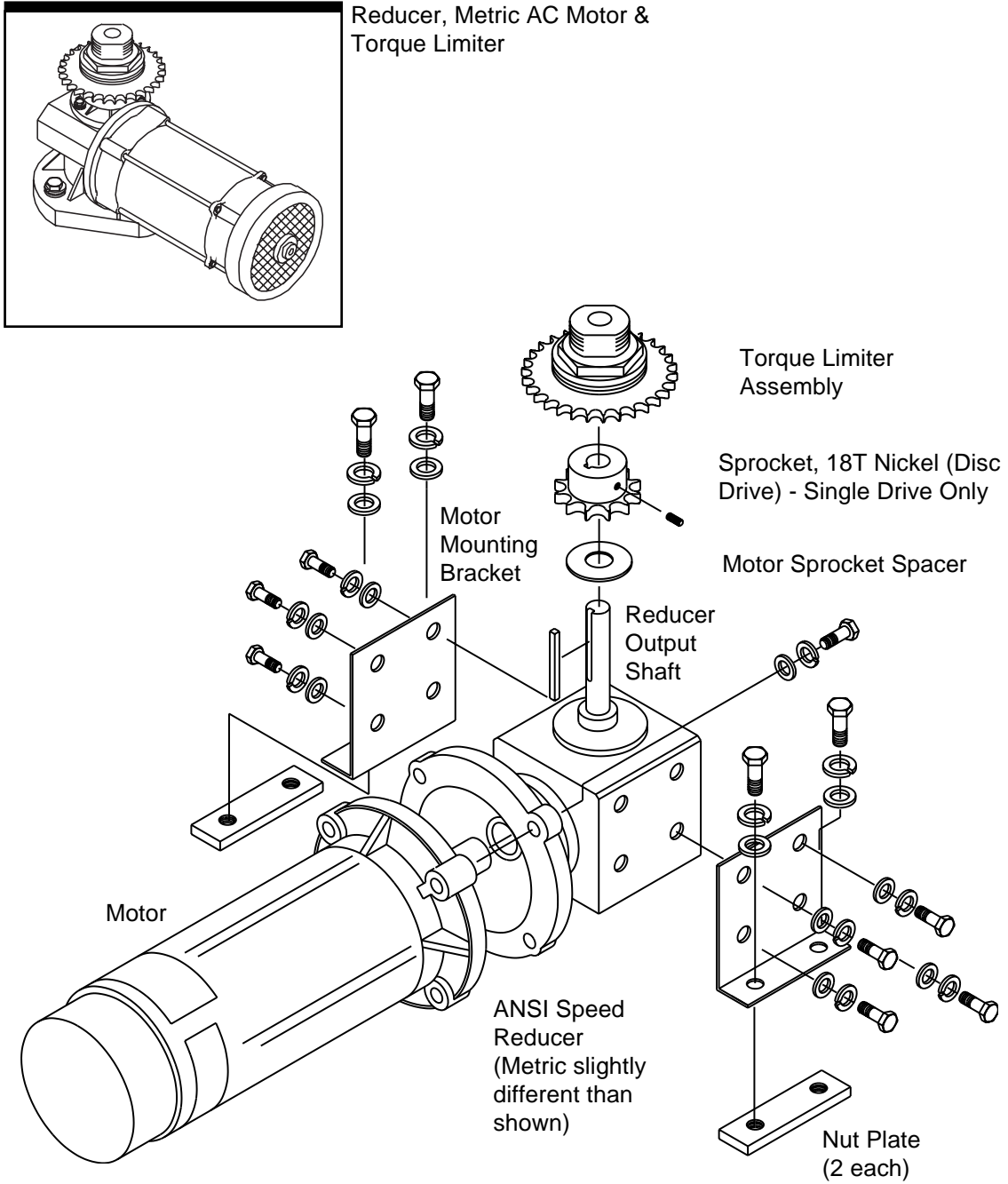


Figure 5-5. FTF-30-RD Feeder Speed Reducer & Motor

Step 7—Install Motor. Assemble the key to the motor shaft and coat the shaft with anti-seize compound. Insert the motor shaft into the speed reducer input shaft. Align the shafts accurately; improper alignment can result in failure. Do not allow the motor to "hang" unsupported before fully seated in the reducer to avoid damaging the reducer input seal. Rotate the motor to the correct position and firmly secure to flange with four hex-head cap screws. If the motor does not readily seat itself, check to see if the key has moved.

Step 8—Adjust. Reattach drive chain and re-tension, checking sprocket alignments and wiring to insure no damage has occurred. Tighten the nut plate bolts to the frame.



Step 9—Inspect After Installation. During the speed reducer's break-in period, it may run hotter than normal. *Nevertheless, for maximum life, do not allow the speed reducer to operate continuously above 225 °F at the gear case (for AC motors used in Europe, it is customary to use 60 °C maximum).* In the event of overheating, check for overloads or high ambient temperatures. Keep shafts and vent plugs clean to prevent foreign particles from entering the speed reducer. Periodically inspect all bolts to make sure they are not loose.

Metric Speed Reducer: Replacement

Follow these instructions to replace the metric speed reducer with its direct replacement.

Step 1—Gain Access. Disconnect power and air. Remove the exit cover.

Step 2—Remove Motor. Remove mounting bolts and then remove motor from the speed reducer, leaving wiring intact. Set motor safely aside in a secure position.

Step 3—Remove Old Speed Reducer. Remove the two mounting bolts on each nut plate at the bottom of the reducer mounting brackets. Slide the speed reducer towards the center of the FTF-30-RD feeder, and remove the chain. Completely remove the speed reducer assembly.

Continued ►



Step 4—Reducer Installation. Remove the torque limiter and reducer mounting bracket from the old reducer and install on the new reducer.

Step 5—Assemble Output Shaft. Unlike the ANSI speed reducer, which includes an integral output shaft, the output shaft on the metric speed reducer comes as a separate kit. If replacement is required, clean both contact surfaces before assembly and apply any appropriate anti-seize compound to avoid oxidation (rust) and possible seizing of parts. Slide the torque limiter assembly down onto the reducer output shaft until it bottoms out against the roll pin (see Figure 5-1). Tighten setscrew. The speed reducer used in the metric FTF-30-RD feeder is lubricated for life with synthetic lubricant and requires no filling before use.



Step 6—Install New Speed Reducer. Install new reducer assembly back into the feeder and reattach the two nut plates, securing the assembly to the frame. *Do not tighten the bolts yet.* Assemble the key to the motor shaft and coat the shaft with anti-seize compound.

Step 7—Install Motor. Assemble the key to the motor shaft and coat the shaft with anti-seize compound. Insert the motor shaft into the speed reducer input shaft. Align the shafts accurately; improper alignment can result in failure. Rotate the motor to the correct position and firmly secure to flange with four hex-head cap screws. Do not allow the motor to "hang" unsupported before fully seated in the reducer to avoid damaging the reducer input seal. If the motor does not readily seat itself, check to see if the key has moved.

Step 8—Adjust. Reattach drive chain and re-tension, checking sprocket alignments and wiring to insure no damage has occurred. Tighten the nut plate bolts to the frame.



Step 9—Inspect After Installation. During the speed reducer's break-in period, it may run hotter than normal. *Nevertheless, for maximum life, do not allow the speed reducer to operate continuously above 225 °F at the gear case (for AC motors used in Europe, it is customary to use 60 °C maximum).* In the event of overheating, check for overloads or high ambient temperatures. Keep shafts and vent plugs clean to prevent foreign particles from entering the speed reducer. Periodically inspect all bolts to make sure they are not loose.

Major Bearing Replacement

Major bearings in the FTF-30-RD feeder are the upper and lower disc shaft spindle bearings, the upper and lower rim support spindle bearings and the disc support bearing (see Figures 5-4 and 5-5). All major bearings except the disc shaft spindle bearings are identical.

Major Bearing Replacement Cautions:

- ▶ Eliminate other possible problems before attempting bearing replacement, as substantial disassembly of the feeder is required. *Carefully note position of any tooling you remove before you begin. Keep chains clean and dry after removal.*
- ▶ Most major bearings in the FTF-30-RD are preloaded to prevent play. To prevent binding or excessive free play in the bowl, ensure that all bearing housings and the bearings themselves are clean and free of external grease, dirt, nicks or burrs prior to reassembly. If you accidentally damage critical surfaces of the housings, you may need to replace the entire spindle assembly as a unit.
- ▶ Install only 100% identical replacement bearings. In the unlikely event that the bowl will not turn, or that there is play in the bowl when you are done, you may need to replace the spindle assembly as a unit, or contact Hoppmann Corporation for assistance.
- ▶ To maintain accuracy and prevent play in the bowl, replace both bearings of a pair at the same time. Do not replace only one.
- ▶ Do not swap housings (such as the disc shaft spindle bearing housing) from one FTF feeder to another, as critical surfaces may have been custom-machined for zero play in the bowl.

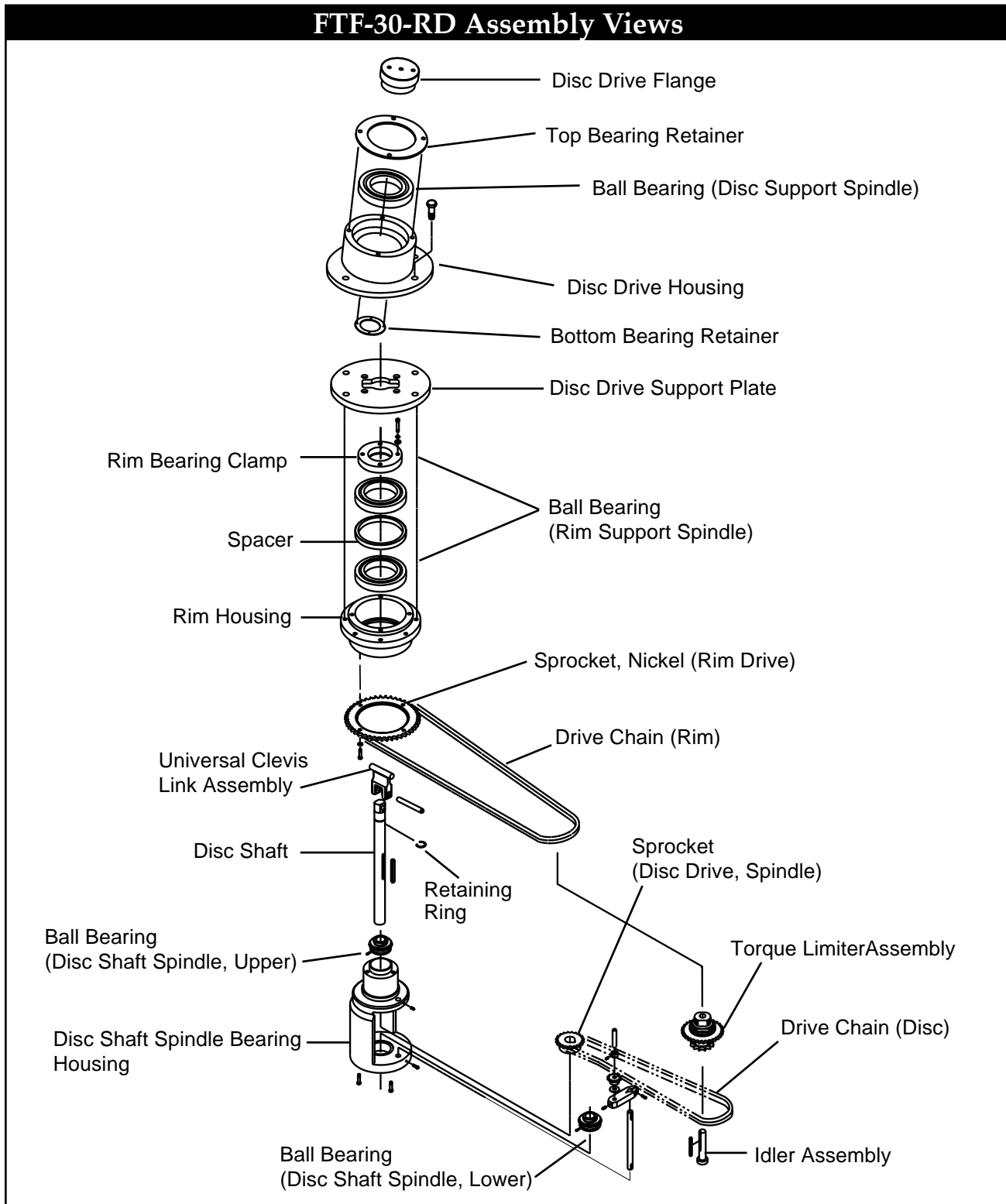


Figure 5-6. FTF-30-RD Spindle Assembly - Exploded Views (Single Drive)

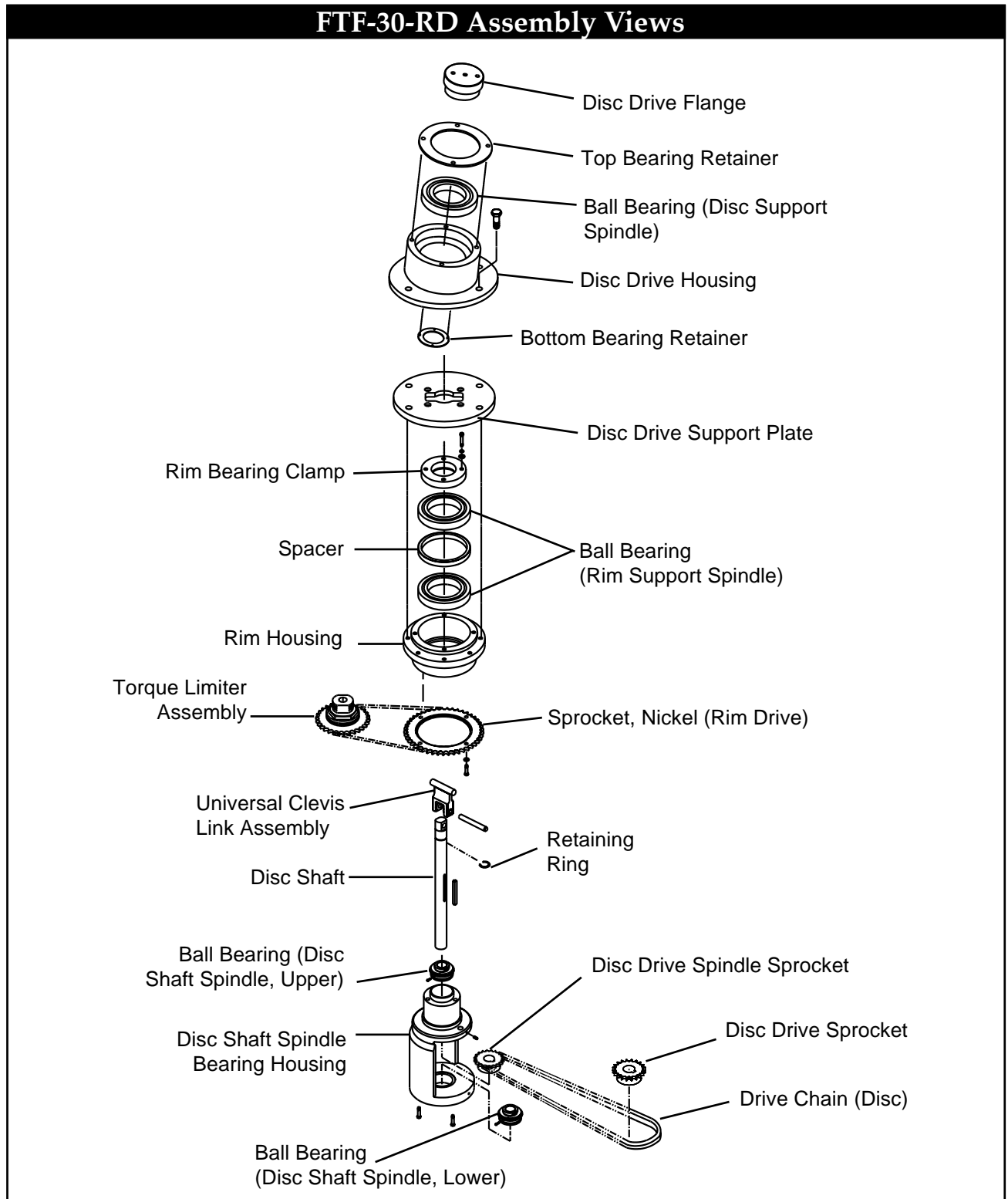


Figure 5-7. FTF-30-RD Spindle Assembly - Exploded Views (Dual Drive)



If Product Jams: General Tips

Step 1—Inspect The Feeder. If product jams repeatedly, review the following:

- ▶ Is the prefeeder delivery rate excessive? (The prefeeder should deliver only enough product to the feeder to keep the line running at the required rate.)
- ▶ Is the feeder's bowl speed set incorrectly?
- ▶ Is there a changeover procedure you have overlooked?
- ▶ Is the feeder's main air regulator set incorrectly?

Step 2—Inspect Your Product After checking the feeder, check to see if your product has changed since the last batch:

- ▶ Are they larger? Smaller? A different shape? A different material? Different color? Different quality?
- ▶ If you are orienting freshly molded product, have you made a change in how they are released from the mold? (Are they hotter, drier or stickier, for example?)
- ▶ Finally, if your product has changed, or if you cannot isolate why your product is jamming, contact your direct supplier for assistance.

Troubleshooting Charts

Refer to the following pages for troubleshooting charts detailing common problems and the possible solutions.

Troubleshooting Charts

<i>Problem</i>	<i>Possible Cause</i>	<i>Solution</i>
Rate is too low. Parts exit feeder okay.	Feeder starved.	<i>Correctly set prefeeder rate.</i>
	Rim speed incorrect.	<i>Correctly set rim speed.</i>
Rim or disc does not turn.	Part jammed in feeder.	<i>Disconnect power; locate and remove part; then continue operation.</i>
	Torque limiter loose.	<i>Adjust torque limiter.</i>
Feeder won't run at all.	Power off or disconnected.	<i>Turn on power.</i>
	Downstream machinery is completely full.	<i>Clear downstream machinery.</i>
	Motor controller defective or trim pot settings changed.	<i>Replace motor speed controller & "horsepower" resistor or recalibrate to motor speed controller mfg.'s instructions.</i>
	Defective motor.	<i>Replace motor.</i>
Surface of parts scuffed or dirty.	Particulate in feeder.	<i>Clean rim and disc.</i>
	Parts already scuffed.	<i>Check upstream machinery.</i>
Rim jerks when moving	Motor controller defective or trim pot setting changed.	<i>Replace the motor speed controller or recalibrate to the motor speed controller manufacturer's instructions.</i>
	Loose chain drive.	<i>Adjust drive chain tension. See Chapter 5.</i>

Figure 5-8. FTF-30-RD Feeder Troubleshooting

Chart Continued ►



<i>Problem</i>	<i>Possible Cause</i>	<i>Solution</i>
Rim and disc turn but parts don't exit properly. Parts jam.	Motor speeds incorrect.	<i>Correctly set rim speed and prefeeder rate.</i>
	Air off or incorrect.	<i>Check air pressure at main air pressure regulator. Check air flow.</i>
	Incorrect part.	<i>Verify that feeder is correctly set up to run this part.</i>
	Parts are different.	<i>Verify that feeder is tooled to run this part.</i>
	Tooling or air jets need adjustment.	<i>Refer to your System Operations Manual or contact your direct supplier.</i>
Cannot adjust motor speed high enough.	Motor controller defective or trim pot settings changed.	<i>Replace motor speed controller or recalibrate to motor speed controller mfg.'s instructions.</i>

Figure 5-9. FTF-30-RD Feeder Troubleshooting

Replacement Parts

6

Notice to Hoppmann Customers:

Replacement part lists for the standard models are stapled in the rear cover of this manual. To ensure receiving the correct replacement part(s) specific to your system, consult your system operations manual.

If you did not receive a Hoppmann customized system, or you do not have a copy of the systems operations manual, contact Hoppmann Corporation. *Prior to contacting Hoppmann, copy down the information from your system's serial plate(s).* This helps eliminate incorrect spare parts, and will assist us in making sure we have the correct parts for your tooled system. See Figure 6-1 for the two types of serial plate's that will be located on your system. *This information is necessary when ordering replacement parts or service.*

Hoppmann Corporation's contact information is listed on the following page.

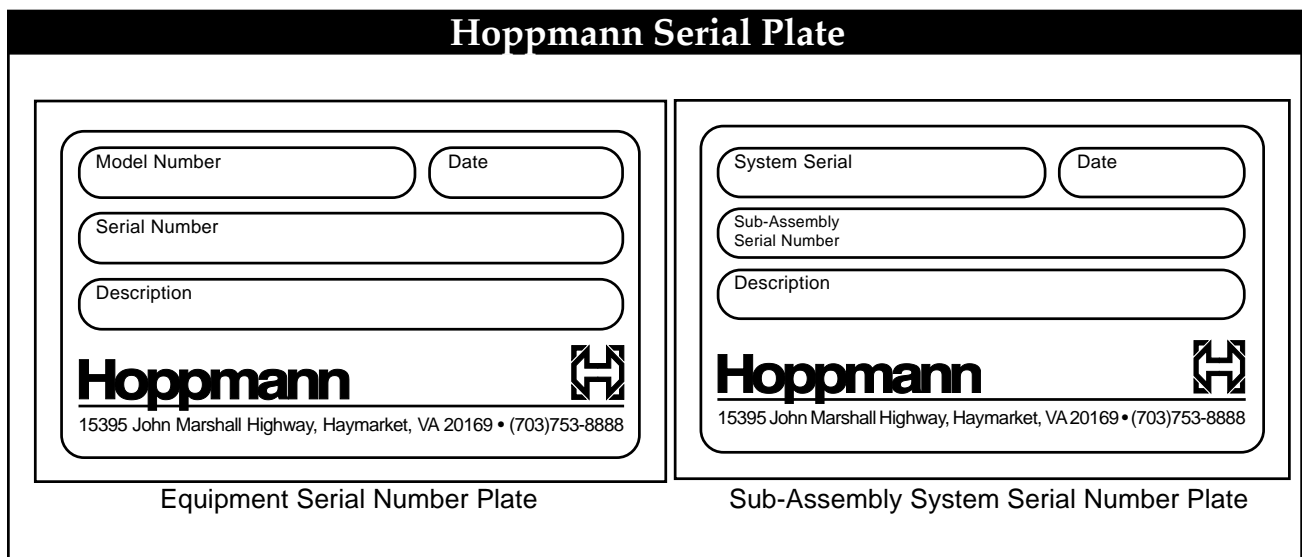


Figure 6-1. Serial Plate Layouts - Equipment and System



Notice to Dealer & OEM Customers:

Some components listed might have been changed by your dealer or OEM to work better with your application. To avoid ordering the wrong replacement part, verify the part number listed in the insert to the back of this manual when you place your order with your dealer or OEM.

In North America:

Hoppmann Corporation
15395 John Marshall Highway
Haymarket, VA 20169
Phone: (703) 753-8888 Toll Free: (800) 368-3582
Fax: (703) 753-7485
e-mail: spares@hoppmann.com
website: www.hoppmann.com

In Europe:

Hoppmann International GmbH
Max-Planck-Str. 95
27283 Verden
Germany
Telefon: 04231 / 96450
Telefax: 04231 / 65000
e-mail: info@hoppmann-int.de
website: www.hoppmann-int.de

Warranty

Hoppmann Corporation warrants that each item of its own manufacture delivered hereunder shall, at the time of delivery and for a period of twelve (12) months thereafter, be free from defects in materials or workmanship; and if any such item shall prove to be defective in material or workmanship under normal intended usage and maintenance during the warranty period, upon examination by Hoppmann Corporation, then Hoppmann Corporation shall repair or replace, at its sole option, such defective item at its own expense; provided, however, that the owner shall be required to ship such defective item, freight prepaid, to Hoppmann Corporation's plant from where it was shipped. The warranty on components not manufactured by Hoppmann Corporation, but a part of the **feeder**, is limited to the warranty provided by the original manufacturer of said components to the extent, and only to the extent, that such original manufacturer actually honors such warranty. **All warranties hereunder are expressly limited to the repair or replacement of defective items as set forth herein, and in no event shall Hoppmann Corporation be liable for special, incidental or consequential damages by reason of any breach of warranty or defect in material or workmanship. Hoppmann Corporation shall not be responsible for repair or replacement of items which have been subjected to neglect, accident or improper use, or which have been altered by other than authorized Hoppmann Corporation personnel.**

This warranty is in lieu of other warranties, express or implied. All implied warranties, including but not limited to the implied warranties of merchantability and fitness for a particular purpose are hereby excluded.



Notes



Notes



Scheduled Mechanical Maintenance

Regular Maintenance

- ▶ Clean as needed
- ▶ Inspect chain tension at six (6) month intervals

Performed by (initial) _____ (date) _____
Performed by (initial) _____ (date) _____
Performed by (initial) _____ (date) _____
Performed by (initial) _____ (date) _____
Performed by (initial) _____ (date) _____
Performed by (initial) _____ (date) _____
Performed by (initial) _____ (date) _____
Performed by (initial) _____ (date) _____
Performed by (initial) _____ (date) _____
Performed by (initial) _____ (date) _____
Performed by (initial) _____ (date) _____

Scheduled Electrical Maintenance

Once Every 6 Months

- ▶ Inspect/replace motor brushes

Performed by (initial) _____ (date) _____
Performed by (initial) _____ (date) _____
Performed by (initial) _____ (date) _____
Performed by (initial) _____ (date) _____
Performed by (initial) _____ (date) _____
Performed by (initial) _____ (date) _____
Performed by (initial) _____ (date) _____
Performed by (initial) _____ (date) _____
Performed by (initial) _____ (date) _____
Performed by (initial) _____ (date) _____
Performed by (initial) _____ (date) _____

Maintenance Information - See Chapter 4.