

### Live Bottom Prefeeder



#### Product Overview:

Shibuya Hoppmann's standard LB-01 overhead prefeeder is specially designed to handle small parts and is engineered to interface directly with smaller style parts feeders. A variable speed motor drives the belt at a speed of 23.00 inches per minute. Note: Controllers are not supplied with this unit.

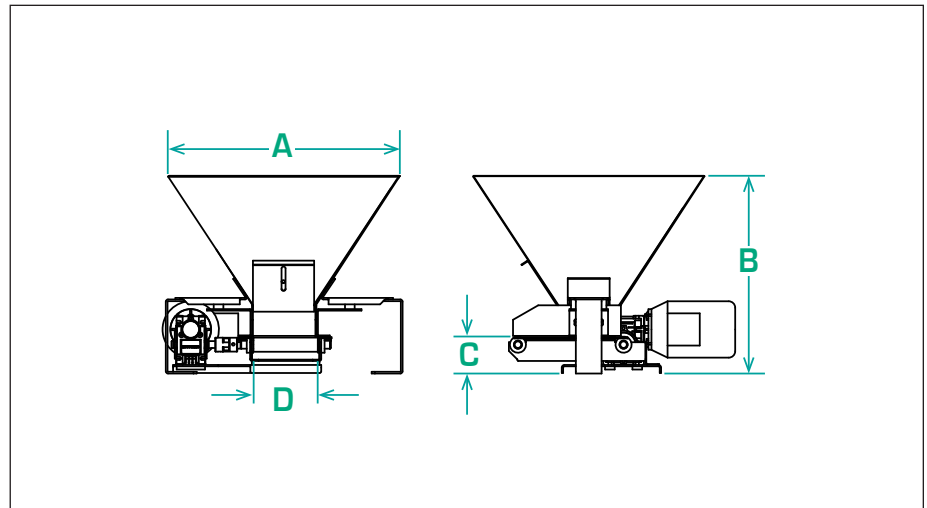
Part Number	LB01XXXDSA	LB01XXXASA
Motor Style	DC	AC
Motor Voltage	90VDC	208-230/460V
Horsepower	1/30hp	.12hp
Total Equipment Weight	35 lbs. / 16 kg	
Hopper Capacity	1 ft <sup>3</sup> / 28.32 liters	

#### Standard Features:

- Stainless steel construction
- Durable reinforced black neoprene belt with fiberglass cord
- Feeder mounting brackets

#### Available Options:

- Continuous welded seams
- Hopper covers
- Tan neoprene USDA/FDA dry contact food belt with fiberglass cord (Food Grade Unit: LB01XXXDFA)
- NEMA 1 encased controller



Product Specifications		ANSI	Metric
A	Hopper Width and Length	17.93" x 17.93"	455.4 x 455.4mm
B	Overall Height	15.35"	389.9mm
C	Discharge Height	2.83"	71.9mm
D	Belt Width	5.00"	127mm