



### Product Overview:

The FT-10-RD centrifugal feeder meets the stringent demands of pharmaceutical, cosmetic and electronics feeding applications. This feeder is ideally suited for small parts requiring a high degree of precision. The delivery rate varies from moderate to high speeds depending on part characteristics. The FT-10-RD is engineered to interface with prefeeders, accumulating conveyors, labelers and assembly equipment.

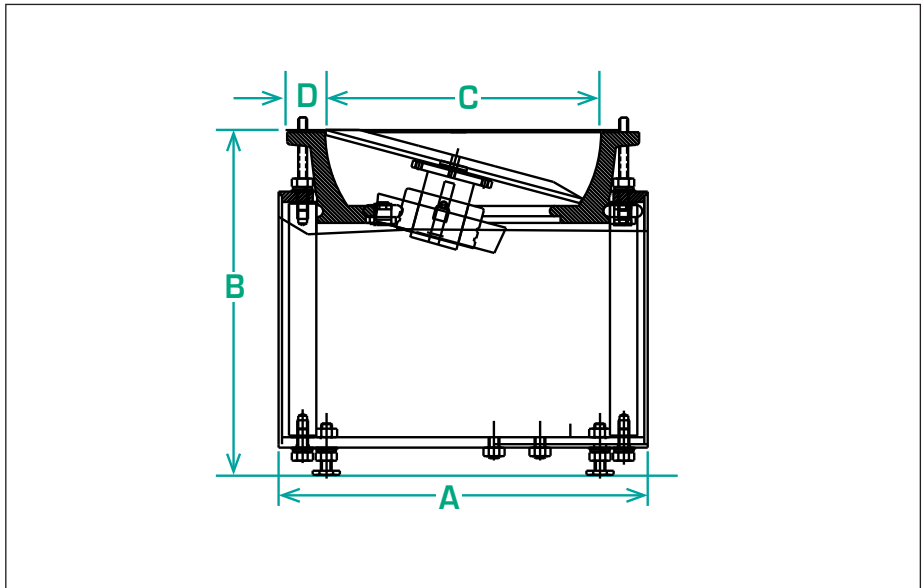
Part Number	FT101RLDSA	FT101RLASA
Motor Style	DC	AC
Motor Voltage	180V	220V
Horsepower	1/5hp	1/5hp
Total Equipment Weight	125 lbs. / 57 kg	

### Standard Features:

- Unique single drive system
- Variable rim speed control
- Polyurethane bowl
- Delrin center disc

### Optional Features:

- All stainless steel exterior construction



Product Specifications		ANSI	Metric
A	Frame Width and Length	13.50" x 15.50"	343.0 x 394.0mm
B	Overall Height/Discharge Height	14.50" ± 1"	358.0 ± 25mm
C	Inside Bowl Diameter	10.00"	254.0mm
D	Bowl Rim Width	1.50"	38.1mm