



### Product Overview:

Shibuya Hoppmann's standard FS-60 scallop feeder is designed to feed and orient bottles and other cylindrical parts with the use of urethane scallops. Parts are radially oriented and gently qualified in the scallop pockets by means of sweeps, wipers, pneumatic and/or electric devices depending on specific product characteristics. Oriented parts are discharged and carried away by various downstream in-line devices. Note: Tooling is not included with this unit.

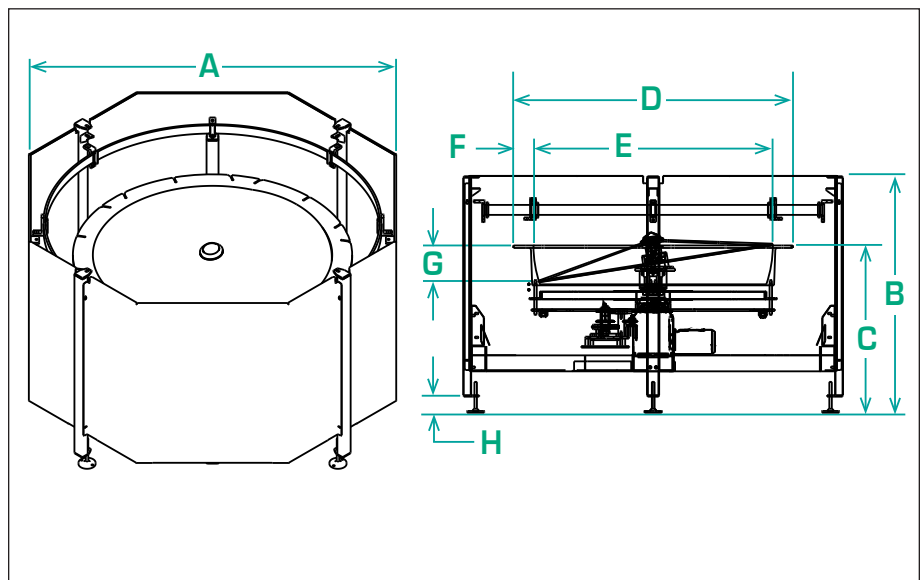
Part Number	FS601RLDSA	FS601RLASA
Motor Style	DC	AC
Motor Voltage	90V	230/460V
Horsepower	1hp	1hp
Total Equipment Weight	1600 lbs. / 726 kg	

### Standard Features:

- All stainless steel exterior construction
- FDA approved ABS vacuum formed disc
- Teflon Hardcoat Anodized aluminium bowl predrilled for scallop mounting
- Air clutch
- Hinged polycarbonate cover with safety interlocks
- Backup Ring

### Available Options:

- Washdown motor(s)
- Urethane scallop kit
- NEMA 1 encased controller



### Accessories:

FS Series Scallop Kit	FS60SCALXX
(includes segment plates and one of the following number of scallops: 36, 48, 54, 60 or 72)	

Product Specifications	ANSI	Metric
A Outside Diameter	95.20"	2418.1mm
B Overall Height	59.25"	1504.9mm
C Bowl Discharge Height	41.90"	1064.3mm
D Bowl Outside Diameter	70.00"	1778.0mm
E Bowl Inside Diameter	60.00"	1524.0mm
F Rim Width	5.00"	127.0mm
G Bowl Depth	10.00"	254.0mm
H Level Foot Adjustment	4.00"	101.6mm