



Product Overview:

The FS-40 scallop feeder is designed to feed and orient bottles and other cylindrical parts with the use of urethane scallops. Parts are radially oriented and gently qualified in the scallop pockets by means of sweeps, wipers, pneumatic and/or electric devices depending on specific product characteristics. Oriented parts are discharged and carried away by various downstream in-line devices. Note: Tooling is not included with this unit.

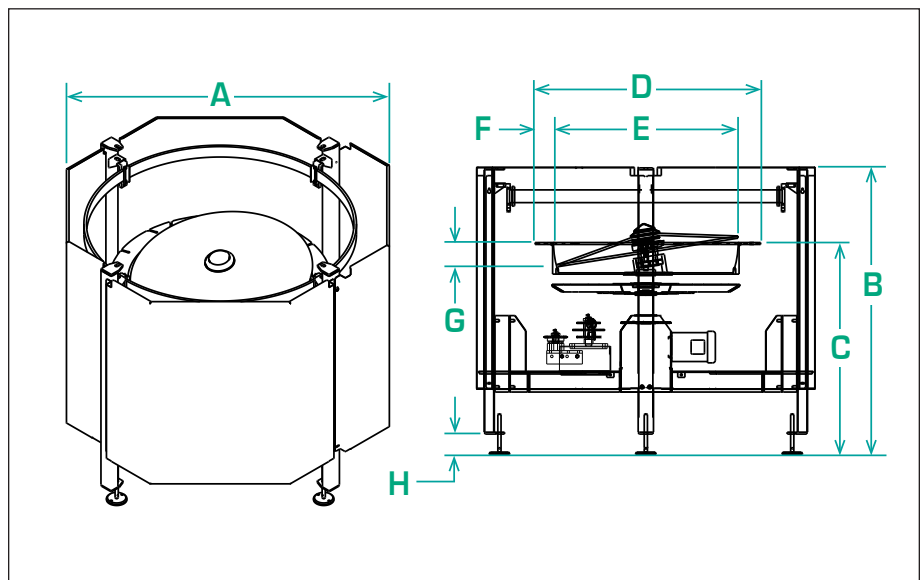
Part Number	FS401RLDSA	FS401RLASA
Motor Style	DC	AC
Motor Voltage	90V	230/460V
Horsepower	1/2hp	1/2hp
Total Equipment Weight	1050 lbs. / 476 kg	

Standard Features:

- All stainless steel exterior construction
- FDA approved ABS vacuum formed disc
- Teflon Hardcoat Anodized aluminium bowl predrilled for scallop mounting
- Air clutch
- Hinged polycarbonate cover with safety interlocks
- Backup Ring

Available Options:

- Washdown motor(s)
- Urethane scallop kit
- NEMA 1 encased controller



Accessories:

FS Series Scallop Kit	FS40SCALXX
(includes segment plates and one of the following number of scallops: 36, 48, 54, 60 or 72)	

Product Specifications	ANSI	Metric
A Outside Diameter	63.48"	1612.4mm
B Overall Height	56.25"	1428.8mm
C Bowl Discharge Height	38.75"	984.3mm
D Bowl Outside Diameter	43.46"	1103.9mm
E Bowl Inside Diameter	36.25"	920.8mm
F Rim Width	3.61"	91.7mm
G Bowl Depth	6.20"	157.5mm
H Level Foot Adjustment	4.00"	101.6mm