

Accumulation Table



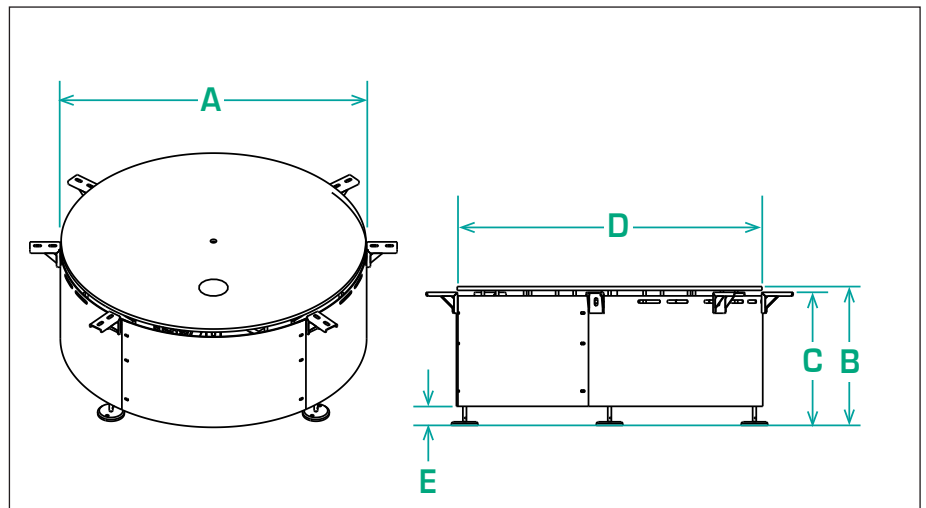
Product Overview:

Shibuya Hoppmann's FD-30, is a flat disc centrifugal accumulation/feeder. Its low profile and large diameter disc is ideally suited for use as an inline accumulator, a parts turn table or feeder. The FD-30 is engineered to interface with Shibuya Hoppmann prefeeders, accumulating conveyors, assembly systems and other downstream equipment.

Part Number	FD30XXXDSA	FD30XXXASA
Motor Style	DC	AC
Motor Voltage	90V	230/460V
Horsepower	1/3hp	1/3hp
Total Equipment Weight	300 lbs. / 136 kg	

Standard Features:

- Stainless steel exterior construction
- PVC low friction flat disc
- C-Face motor/reducer



Product Specifications		ANSI	Metric
A	Outside Diameter	40.24"	1022.1mm
B	Overall Height	18.22" ± 2.5"	462.8 ± 63mm
C	Discharge Height	18.00" ± 2.5"	457.2 ± 63mm
D	Disc Diameter	40.00"	1016.0mm
E	Level Foot	2.50"	63.5mm