

ET-02 Table Top Elevating Prefeeder



Product Overview:

The Shibuya Hoppmann ET-02 Elevating Table Top Prefeeder is designed to handle a variety of small sized, light weight parts with both an adjustable base and head chute to accommodate small product loading and delivery variances. The concept is based on the standard sized elevating prefeeders but has a more compact footprint and can be mounted on top of an existing support table.

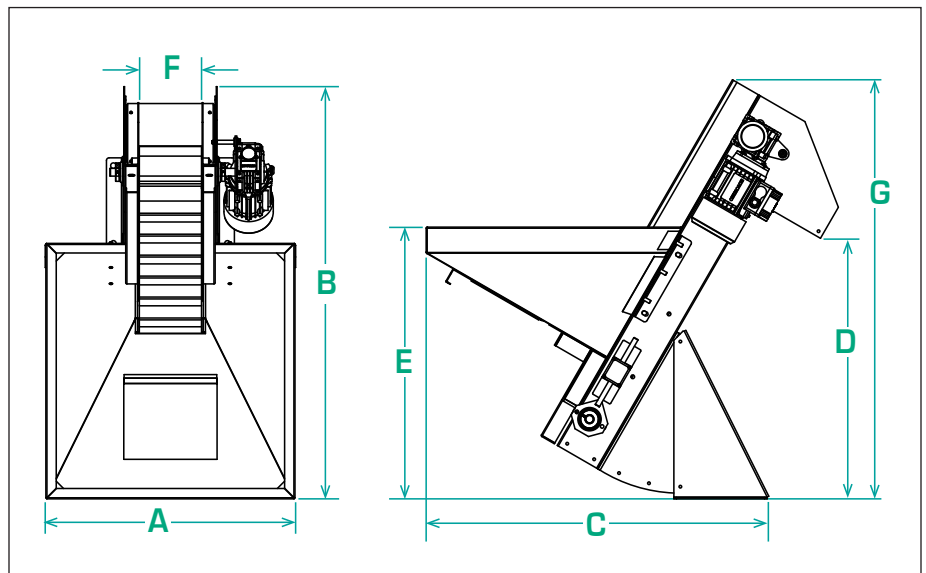
Part Number	ET0206XDSA	ET0206XASA
Motor Style	DC	AC
Motor Voltage	90/180V	220/380V
Horsepower	1/5hp	1/4hp
Total Equipment Weight	185 lbs. / 83.9 kg	
Hopper Capacity (ET-02/04/06)	1 ft ³ / 2 ft ³ / 3 ft ³ (28 / 56 / 85 liters)	

Standard Features:

- Stainless steel construction
- Belt (6" width belt, 4" pitch with 1.5" cleat) FDA/USDA approved white 1-ply solid woven polyester fabric with 1/16" thick white PVC coating and PVC cleats
- Hopper cleanout door

Available Options:

- 1/5 hp 90/180V DC Motor
- Safety cover package
- Elevator extensions available in 12" increments
- Hopper extensions available
- Optional belt styles and widths - Standard cleat for 85° til, blue sanitary belt, super cleat belt



Product Specifications		ANSI	Metric
A	Overall Width	24.03"	610.3mm
B	Overall Length	39.77"	1010.2mm
C	Lower Footprint	32.90"	835.7mm
D	Discharge Height	25.13"	638.3mm
E	Hopper Load Height (Varies)	26.21"	665.7mm
F	Belt Width	6.00"	152.4mm
G	Overall Height	40.43"	1026.9mm