

## EH-08/15/25 Horizontal Discharge Elevating Prefeeder



### Product Overview:

The EH-08/15/25 horizontal discharge, elevating prefeeder is designed to handle medium-sized parts. Using a modular, plastic, cleated chain to vertically and horizontally transport parts, this prefeeder allows the discharge to be closer to the bowl, eliminating potential scuffing or scraping of parts while being able to reach over existing equipment. A heavy duty variable speed motor helps to ensure proper product metering. Note: Controllers and mechanical level sensors are not supplied with this unit.

Part Number	EH0808XDSA	EH0808XASA
Motor Style	DC	AC
Motor Voltage	90V	230/460V
Horsepower	1/3hp	1/3hp
Total Equipment Weight	1000 lbs. / 454 kg	
Hopper Capacity (EH-08/EH-15/EH-25)	8 ft <sup>3</sup> – 15 ft <sup>3</sup> – 25 ft <sup>3</sup> / 227 – 425 – 708 liters	

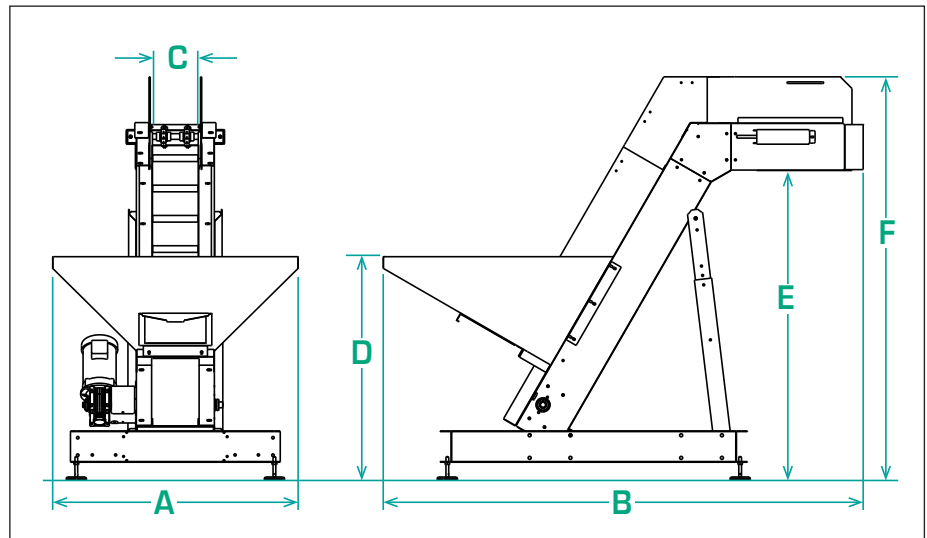
### Standard Features:

- Stainless steel construction
- Modular plastic chain
- Hopper cleanout door
- Elevator and hopper covers
- One piece formed hopper (8 ft<sup>3</sup> capacity)

### Available Options:

- Elevator extensions\*
- Hopper extension for 15 and 25 ft<sup>3</sup> capacity
- Continuous welded hopper seams (EH-15/25)
- Washdown motor
- NEMA 1 encased controller
- Pneumatic hopper agitator (#AGITATOREP08)
- Casters

\* It is strongly recommended that the frame of the prefeeder be reinforced and/or additionally supported for elevator extensions of 36" or greater.



Product Specifications		ANSI	Metric
A	Overall Width	42.06"	1068.3mm
B	Overall Length	79.11"	2009.4mm
C	Modular Chain Width	8.00"	203.2mm
D	Hopper Load Height - EH-08	38.27"	972.1mm
D	Hopper Load Height - EH-15	45.27"	1149.9mm
D	Hopper Load Height - EH-25	54.27"	1378.5mm
E	Discharge Height	60.94"	1547.9mm
F	Overall Height	69.14"	1756.2mm