



Product Overview:

The L410A pressure sensitive label applicator is the proven, robust solution designed to meet the demands of expanding labeling requirements and higher production speeds. Durable, industrial-grade construction assures you that the L410A label applicator will provide around-the-clock operation you can depend on. The easy to use operator interface allows for quick changes to label speeds and position. Flexible design features and multiple application options allow you to easily tailor the L410A to cover your specific labeling needs.

Labeling Rate (PPM)	Up to 150ppm to 600ppm *
Label Head Speed	Up to 3,500"/min (1482mm/sec) *
Accuracy	± 0.02" (± 0.5mm)
Controls	Programmable Logic Controller
Label Drive Motor	High Torque Micro Stepper
Unwind Roll Diameter	14" (376mm) OD x 3" (76mm) ID
Label Detection	Photo Electric
Power Requirements	115VAC, 50/60Hz, 6 Amp, or 230VAC, 50/60 Hz, 3 Amp
Environment	41-104°F (5-40°C), 25-85% relative humidity

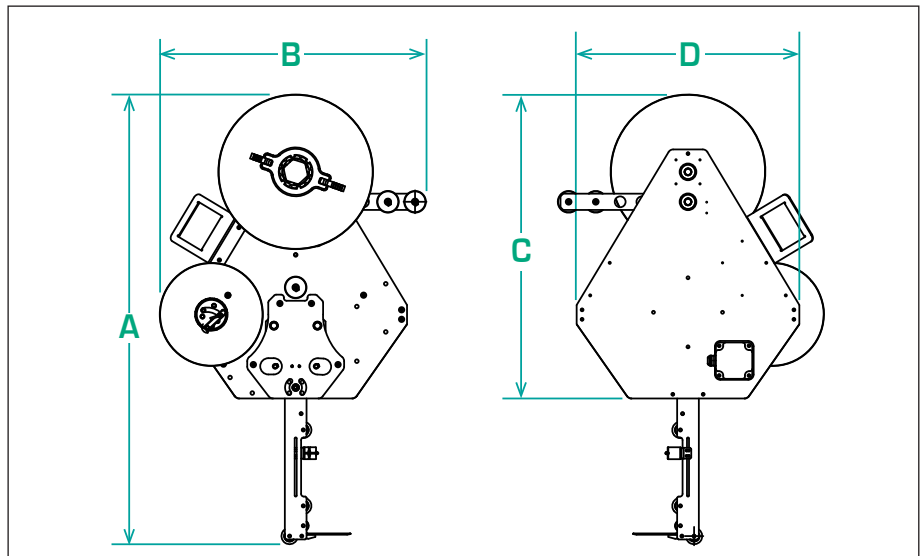
*Dependent upon label and application

Standard Features:

- On board diagnostics
- Product recipe capabilities
- On-the-fly label adjustments
- No tool required label changeover
- Label head applicator widths in 4", 6" and 8"
- Dual nip roller for less web breakage
- Streamline footprint
- Assortment of modules including Tamp
- Right-hand and left-hand
- Coding/inspection accommodation

Available Options:

- Tamp-On, Blow-On, Tamp-Blow and Wipe-On modules
- Swing arm pallet labeler
- Harsh environment head
- Line encoder kit upgrades
- Label low level sensor & beacon fault upgrades
- Adjustable stands and machine mount supports
- Various label applicator accessories: brush, roller, etc.



Product Specifications		ANSI	Metric
A	Overall Height - Peeler Tip to Unwind Wheel	41.4"	1052mm
B	Overall Width - Rewind Wheel to Dancer Arm	24.5"	622mm
C	Applicator Height	23.0"	584mm
D	Applicator Width	20.5"	521mm