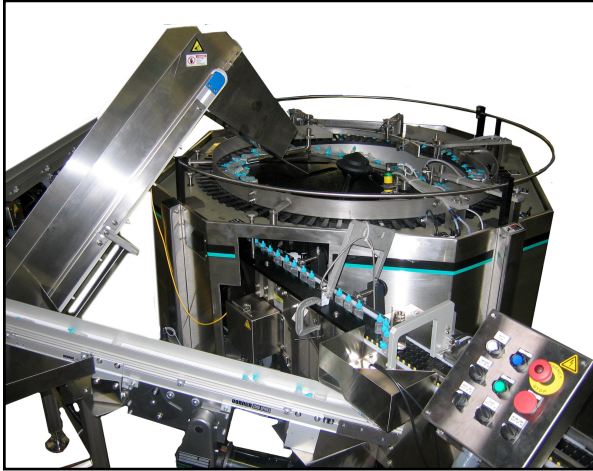


## FS-40 Pharma Feeder

*Designed for Quiet, High Speed Feeding*

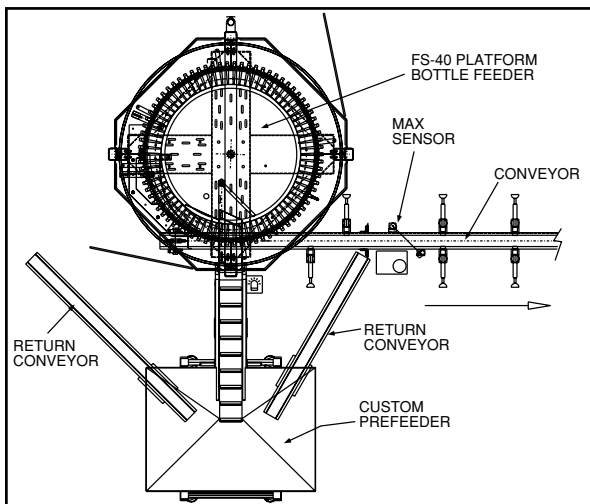


### Standard Features:

- All stainless steel construction
- FDA/USDA approved heavy gauge ABS plastic disc
- Teflon hard-coat finished aluminium bowl, predrilled for scallop mounting
- Air clutch
- Hinged polycarbonated cover with safety interlocks
- Backup ring
- Panel mount controller card

### Available Options:

- Washdown motors
- Urethane scallop kit
- NEMA 1 encased controller



### Product Overview:

Shibuya Hoppmann's standard FS-40 scallop feeder is designed to feed and orient bottles and other cylindrical parts with the use of urethane scallops. Parts are radially oriented and gently qualified in the scallop pockets by means of sweeps, wipers, pneumatic and/or electric devices depending on specific product characteristics. Oriented parts are discharged and carried away by various downstream in-line devices.

### Product Specifications:

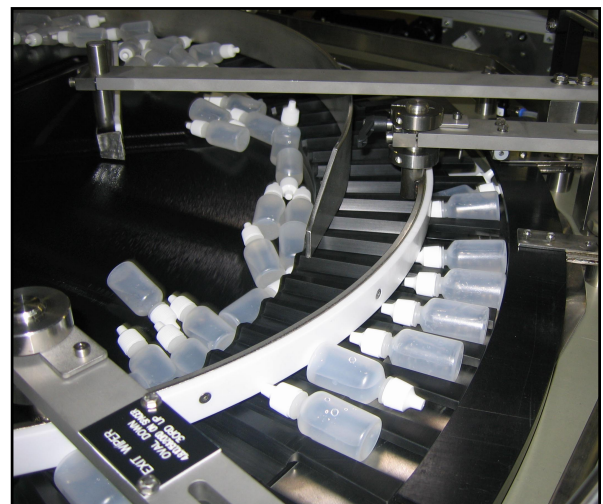
	<u>ANSI</u>	<u>Metric</u>
A. Overall Outside Square	±65"	±1651mm
B. Frame Height	48.50"	1232mm
C. Discharge Height	36"	914mm
D. Bowl Outside Diameter	43.46"	1104mm
E. Bowl Inside Diameter	36.24"	921mm
F. Rim Width	3.61"	92mm
G. Bowl Depth	5.95"	152mm
H. Level Foot Adjustment	4.63" ± 2"	118mm ±51mm

### Standard Models:

Part Number	<u>FS401RLDSA</u>	<u>FS401RLASA</u>
Motor Style	DC	AC
Motor Voltage	90V	230/460V
Horsepower	1/2 hp	373 W

### Required Accessories:

FS Series Scallop Kit ..... FS40SCALXX  
 (includes segment plates and one of the following number of scallops: 36, 48, 54, 60, or 72).



[www.hoppmann.com](http://www.hoppmann.com) • [www.shibuya.co.jp](http://www.shibuya.co.jp) • email: [feeder@hoppmann.com](mailto:feeder@hoppmann.com)

**Shibuya Kogyo Co., Ltd.**

Mameda-Honmachi • Kanazawa 920-8681 • Japan  
 Tel: +81.76.262.1200 • Fax: +81.76.223.1921

**Shibuya Hoppmann Corporation (Manufacturing)**

P.O. Box 879 • 291 Dillard Rd. • Madison Heights, VA 24572  
 Tel: 434.929.4746 • 800.543.0915 • Fax: 434.929.4959